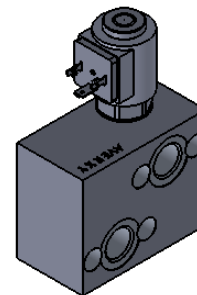




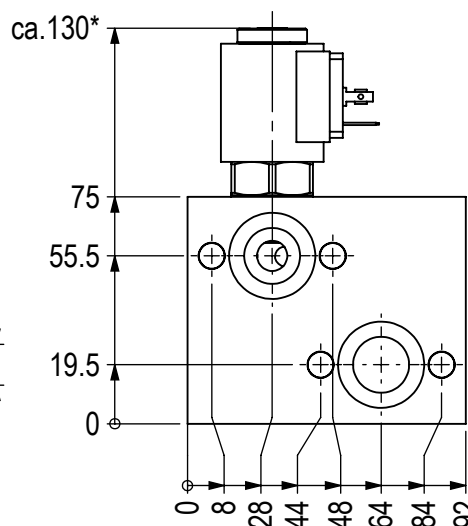
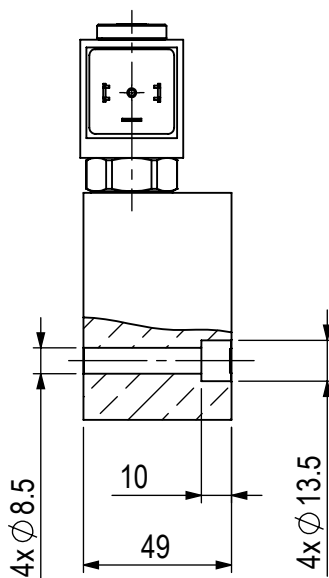
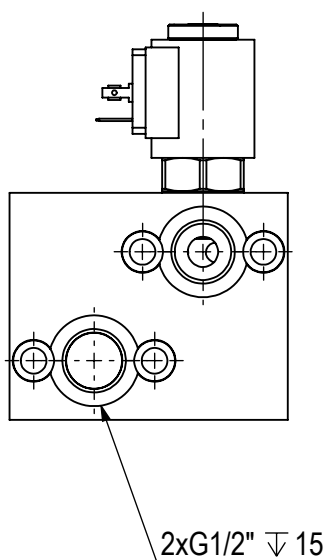
Hydraulik - Ventile - Steuerblöcke



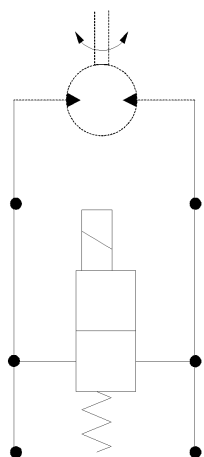
Title: Solenoid shut-off valve, mounting on MP / MR

Technical data:

- body: Alu 2017-A
- pressure: max 250 bar
- flow rate: max 60 l/min
- coil - order code point Y:
 - = power 18W / 22W
 - = various voltage options available (both AC and DC)
- manual override - possible
- ports: G1/2"



Symbol:



	Symbol			
order code point X	1	2	3	4
description	NC, PO, single lock	NO, PO, single lock	NC, PO, double lock	NO, PO, double lock
activity	Motor turns in one direction		Motor turns in both directions	
symbol				

Ordercode: AVE - R - X - Y