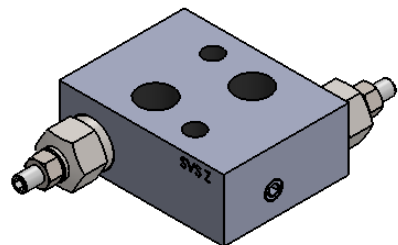




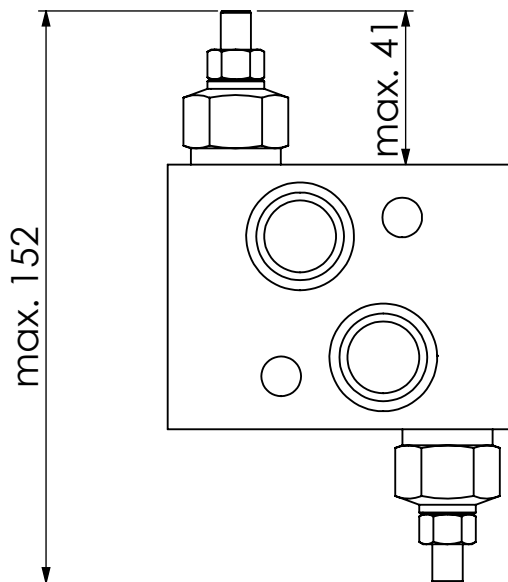
Hydraulik - Ventile - Steuerblöcke



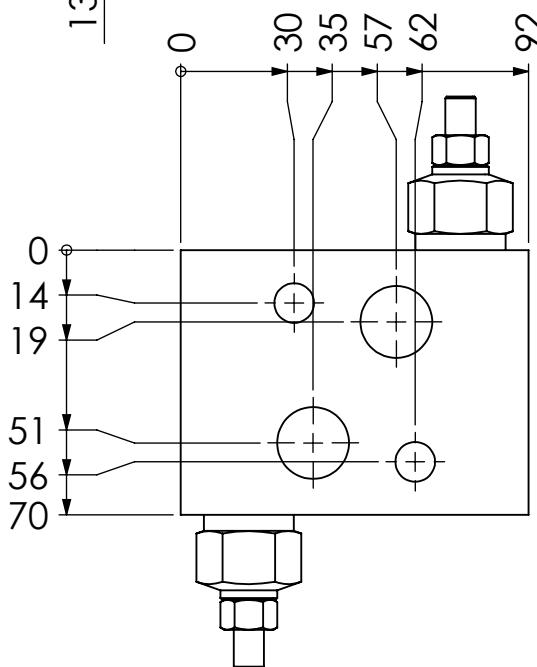
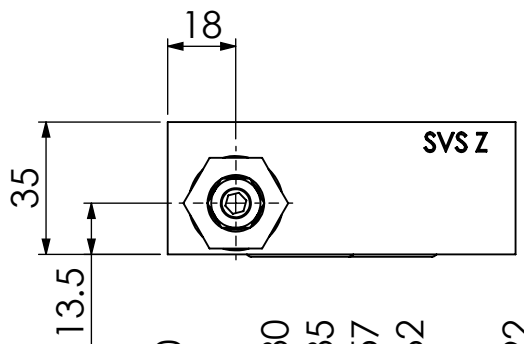
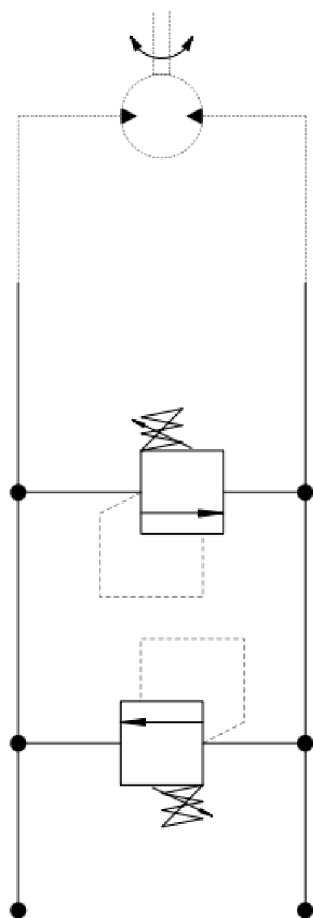
Title: double shock valve mounted on MS/OMS sandwich plate

Technical data:

- body: cast iron EN GJL 250
- 2 pcs. 23.6x2.65 O-Rings in delivery
- pressure: max 210 bar
- flow rate: max 60 lpm



Symbol:



Ordercode: SV S Z -XXX L