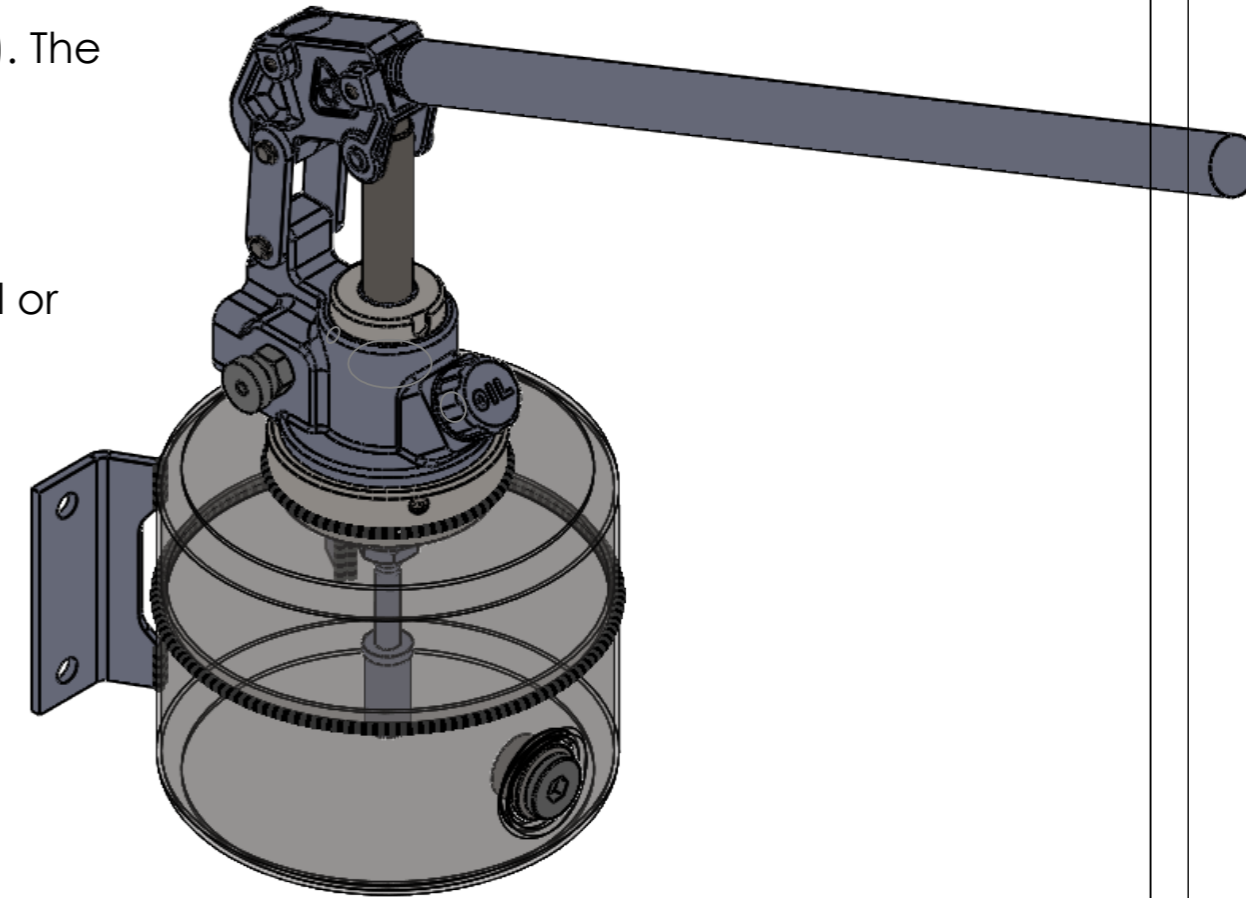


## Advantages

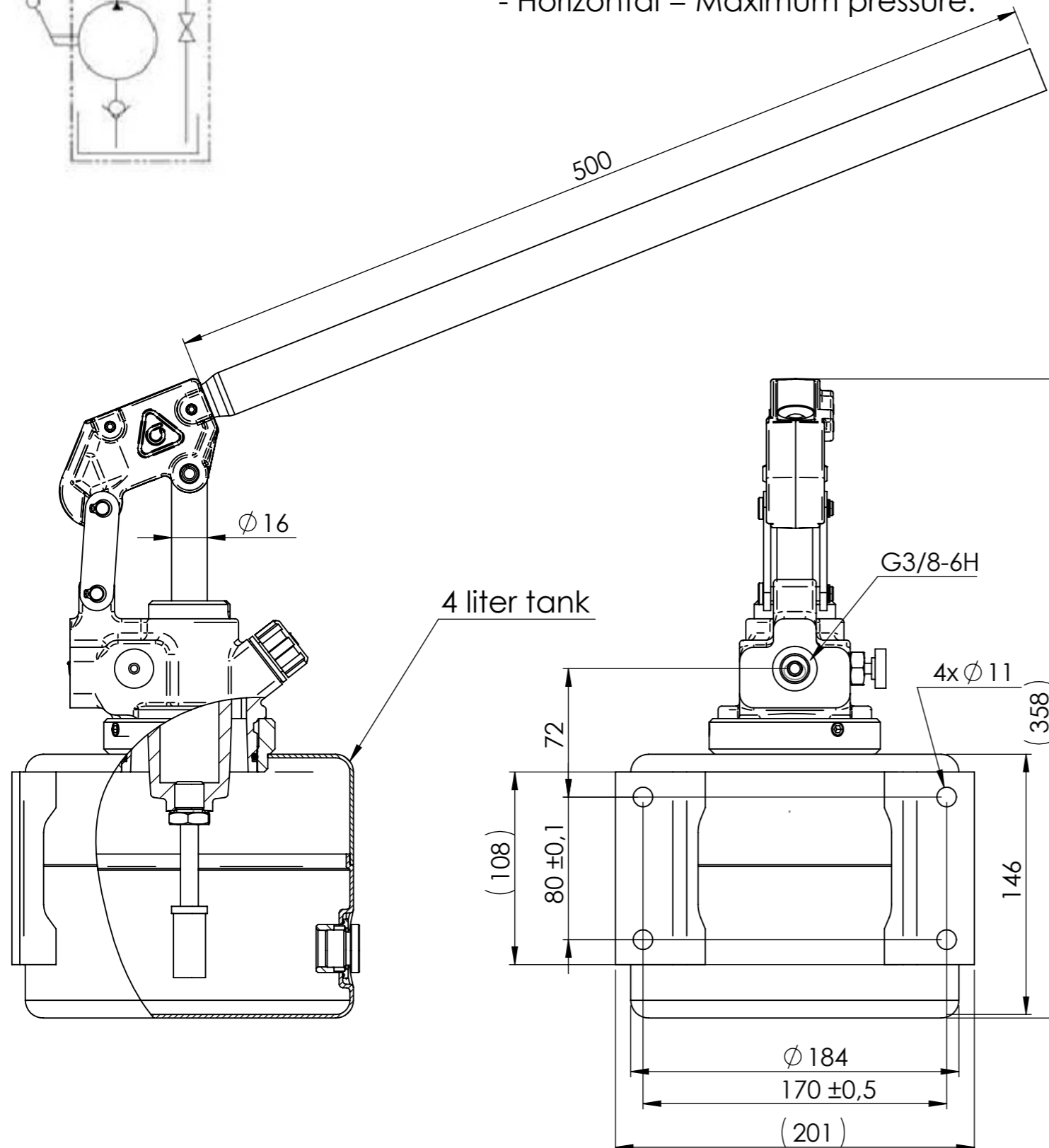
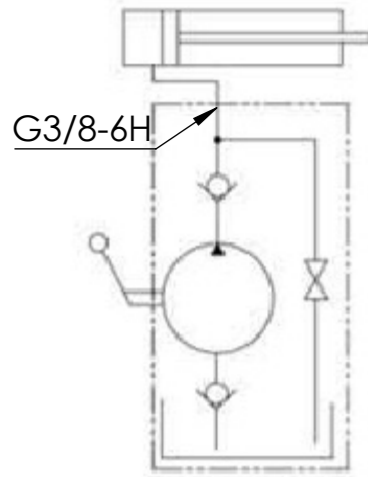
- Universal orientation of the pump on its tank (360°). The pump can be oriented on the tank as required (3 screws)
- Filter on the suction pipe.
- Can be mounted vertically or horizontally.
- Manoeuvring lever has 2 possible positions vertical or horizontal:
  - Vertical = Maximum pressure / 2.
  - Horizontal = Maximum pressure.



## Technical data

- Maximum pressure: see tables
- Temperatures: -30 ° C to + 90 ° c
- Hydraulic mineral oil.
- Materials
- Body in cast iron
- Reinforced seals (compact polyurethane lip seal + wiper seal).
- Stamped steel tank.
- Screws: galvanized steel.

Piston	Q volume	Maximum pressure	Weight (Without tank)	Working pressure
Ø16	17 cm <sup>3</sup>	200 bar	3.1Kg	120 bar



Необозначените допуски по ISO 2768-mK		Линейни размери (mm)				
Грапавост ISO 1302	✓ ✓	0	6	30	120	400
Остри ръбове ISO 13715	L0.2	±0.1	±0.2	±0.3	±0.5	±0.8

Изм.	№ на док.	Подпис	Дата	Мощаб	Маса гр.	Стадий
				Лист	Pump HPCD-S/16/HP4 Simple acting	
Разр.						
Пров.						
Т.конт.						
Норм.						

IN:253191