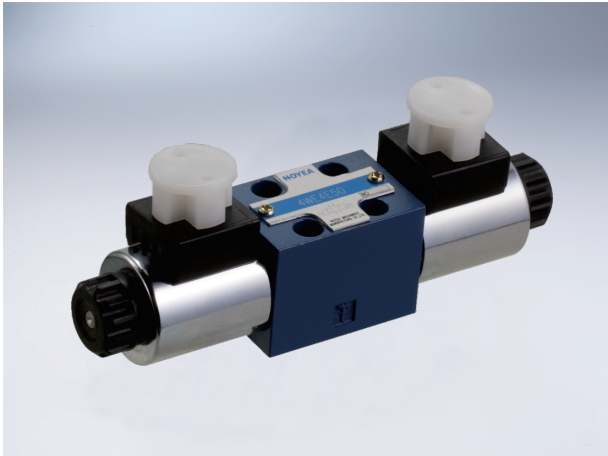


# Lösi Hydraulik

## DN04 Solenoid Valve

### Technical specification



Specification		04
Max. working pressure (MPa)	Port P, A, B	25
	Port T	10
Max. Flow (L/min)		25
Working fluid		Mineral oil; phosphate-ester
Fluid temp. (°C)		-20~70
Viscosity (mm <sup>2</sup> /s)		2.8~100
Working voltage (V)		DC 12      DC 24
Insulation grade		IP55
Cleanliness	The maximum allowable cleanliness of the oil should be according to 9th degree of Standard NAS1638. It is suggested that the minimum filter rating should be $\beta_{10} \geq 75$ .	

Solenoid valve is controlled by the solenoid to move the spool, so as to control the oil flow direction. It could be used in hydraulic system directly, control the oil on/off; also could be used as pilot valve, to control other valves.

### Model description

	4 HYWE4 - * - * * * / * * 5 X *		
4 4Port		Remarks	
DN04 Solenoid valve		Serial number	
Spool type Details refer to symbol list		Seal material Omit NBR Seals V FPM Seals	
Vdtage D12 DC12V D24 DC24V		Omit without damping 08 $\Phi$ 0.8 Damping 10 $\Phi$ 1.0 Damping 12 $\Phi$ 1.2 Damping	
Z5L Square connector with light Z6 Wire box type		Omit without hand emergency N9 with concealed hand emergency	

# DN04 Solenoid Valve

## Code symbol

Spring return

3C2		2B2B		2B2BL		2B2	
3C3		2B3B		2B3BL		2B3	
3C4		2B4B		2B4BL		2B2L	
3C6		2B6B		2B6BL		2B3L	

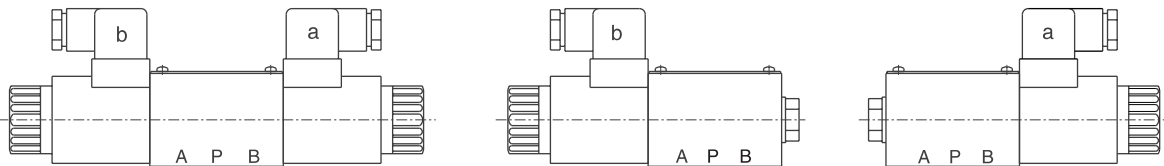
With detent

	2D2
	2D3

No spring return and no detent mechanical positioning

	2N2
	2N3

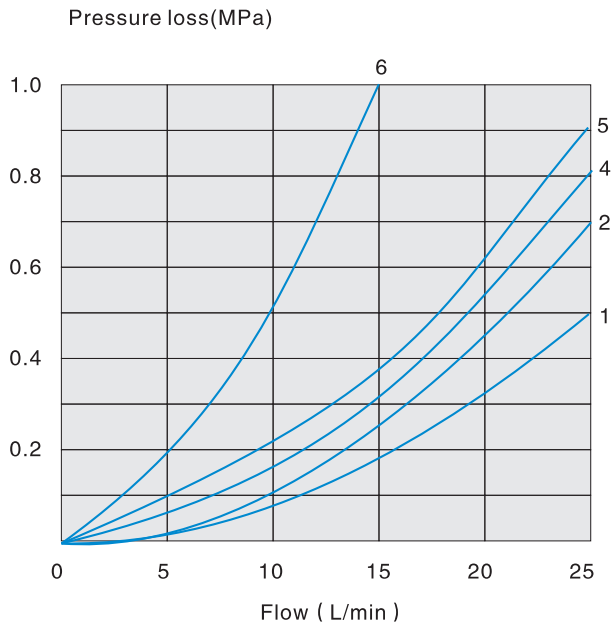
## Name of solenoid



1. a When movement a, P→A B→T
2. b When movement b, P→B A→T
3. Oil flow in the opposite direction with the above-mentioned movement for 3C5, 3C6 symbol Valve.

# DN04 Solenoid Valve

**Specification** Performance curve ( Measured at  $v=41\text{mm}^2/\text{s}$  and  $t=50^\circ\text{C}$  )



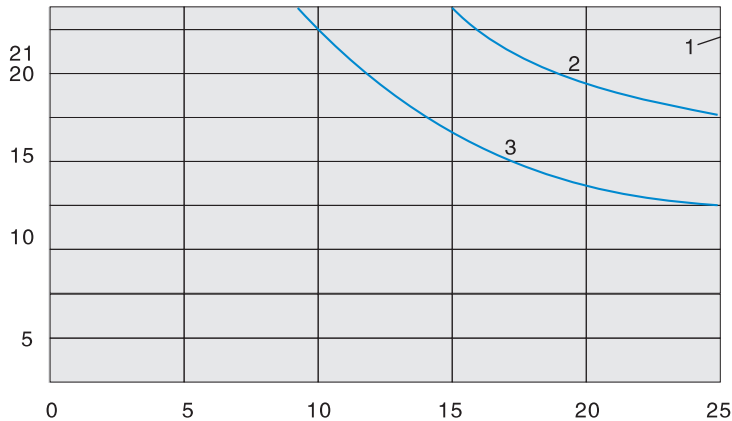
Function code	Direction				
	P→A	P→B	A→T	B→T	P→T
2B2 2B2L	5	5	4	4	-
3C2	4	4	3	3	-
3C6	3	3	4	4	6
3C3	1	1	1	1	-
3C4	5	5	3	3	-

## Specification Working limits

With regard to the four-way valve, the normal flow data as shown is get from the regular use of two directions of the flow (e.g. P to A, and simultaneous return flow from B to T). See tables. If only one flow direction is needed, for example: When a four port valve which is closed up port A or port B, used as a three-way valve, the Maximum flow may be very small in the serious condition.

(The working limits for directional valves have determined by using solenoids at their operating temperature, 10% under voltage and with no pre-loading of the tank)

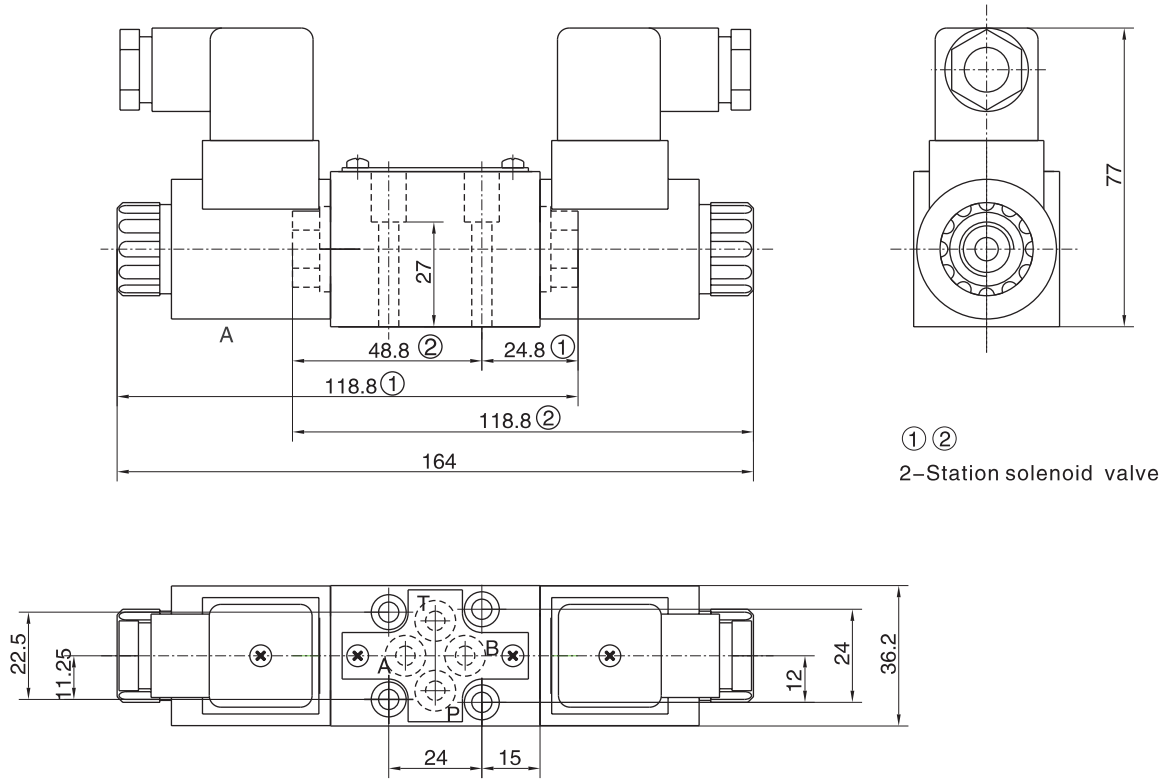
Working pressure(MPa)



Cunoe	Spool
1	2B2 2D2 2N2 2B2L
2	3C2 3C4
3	3C6

# DN04 Solenoid Valve

## External dimensions



## Size of subplate

