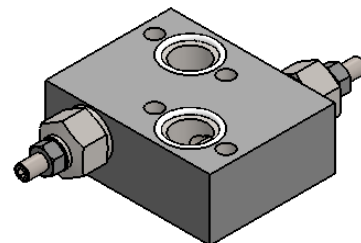




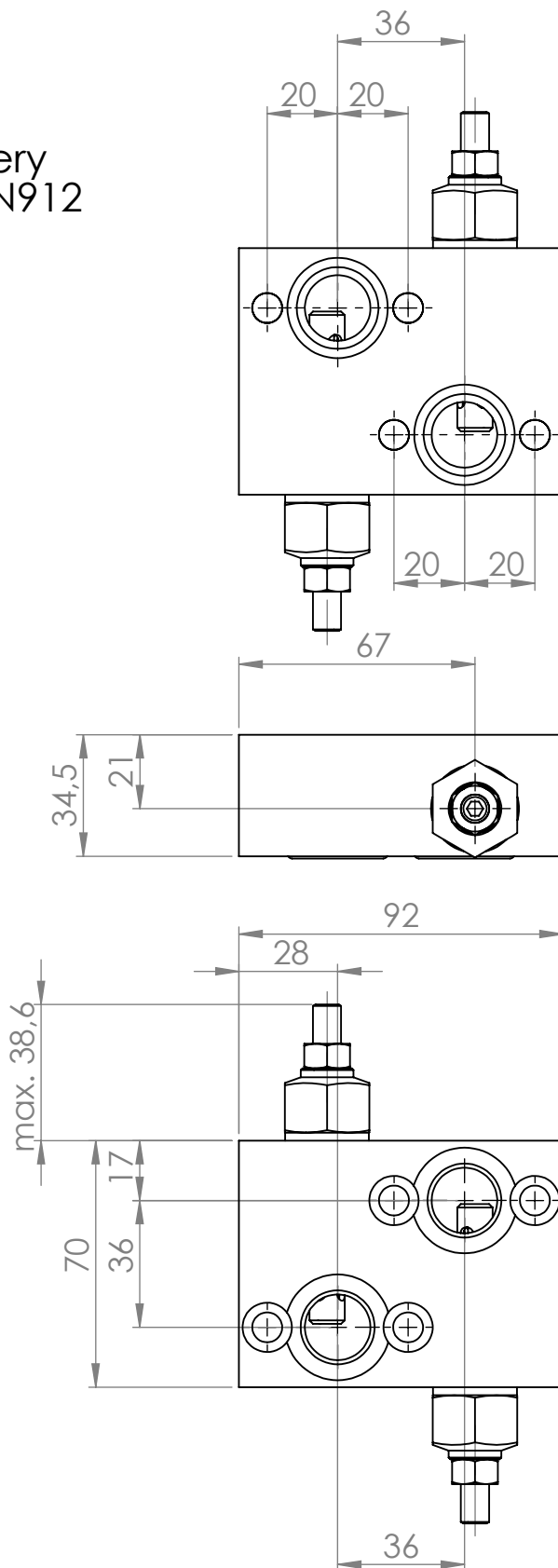
Hydraulik - Ventile - Steuerblöcke



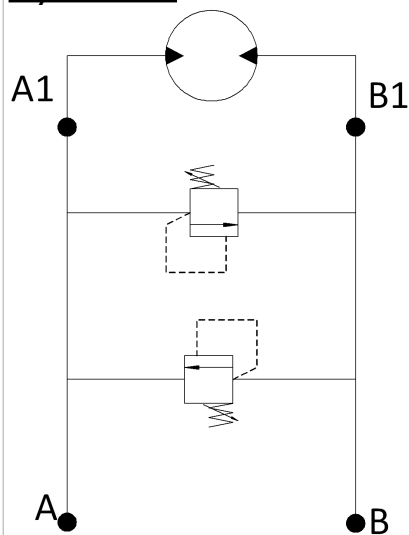
Title: Shock valve mounted on MR(MP)/OMR(OMP)

Technical data:

- body: steel 1.0715 (11SMn30)
- 2 pcs. 23.6x2.65 O-Rings in delivery
- installation with 4 pcs. M8x35 DIN912
- flow rate: 60 l/min
- pressure range:
 - = 20-120 bar
 - = 50-210 bar



Symbol:



Ordercode: SV R 210 - St.