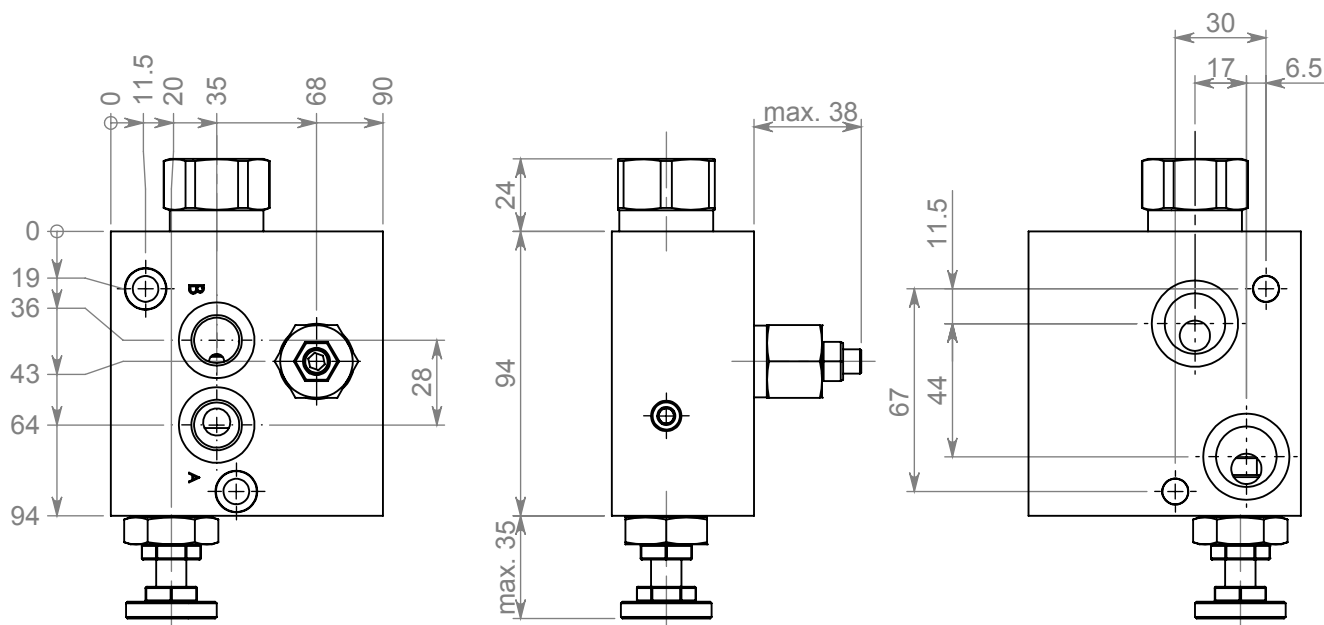
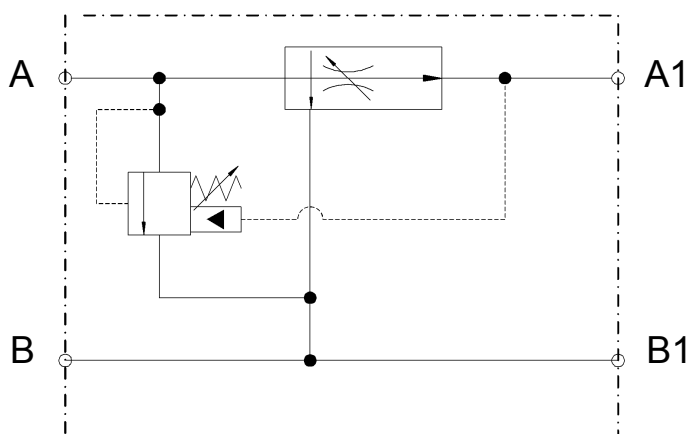


LIK HYDRAULIK

3 way flow control valve with relief valve,
mounting on the GHL,
type 3 RD+DBV-GHL-38



Symbol:



Technical data:

- Ports A and B BSP 3/8"
- Body - aluminum 2017
- Pressure max. 250bar
- Flow rate max. 90l/min
- Control range 1 - 65 l/min

Ordercode:

3 RD+DBV-GHL-38