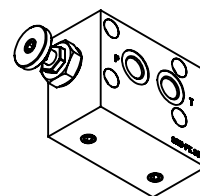




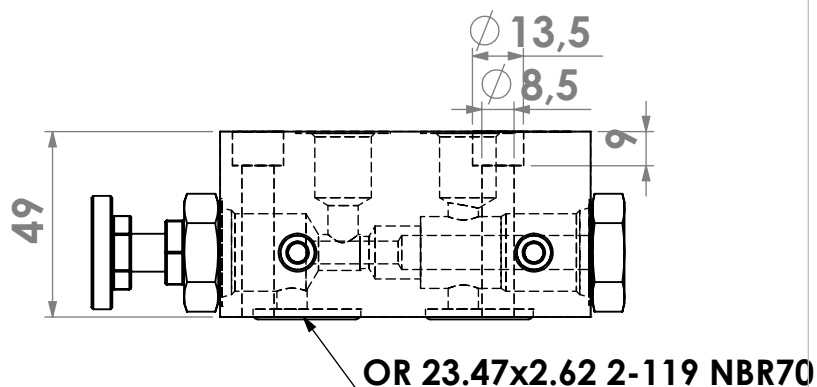
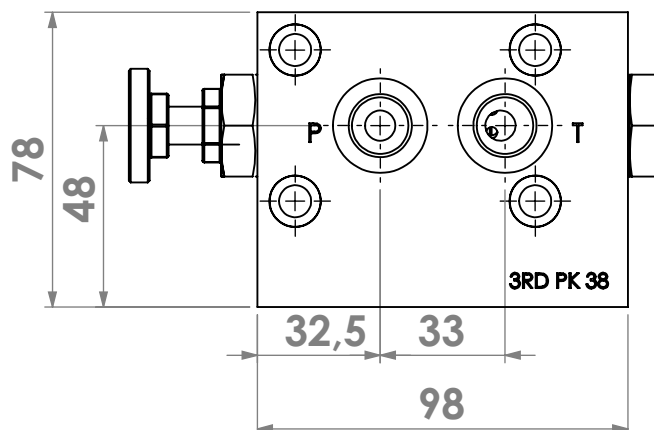
Hydraulik - Ventile - Steuerblöcke



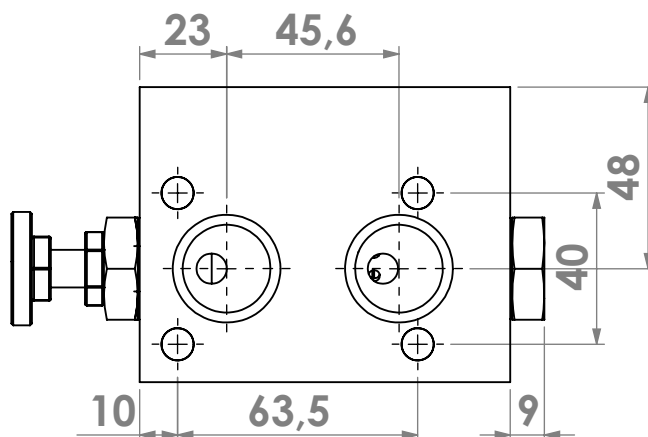
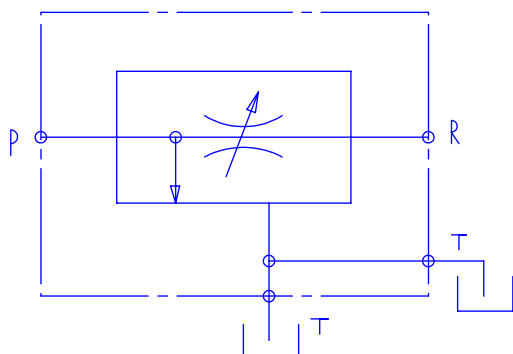
**Title:** VRC3-FC2-MGL-38 LIK

**Technical data:**

- Port P and T G3/8"
- pressure: max. 210 bar
- flow rate: max. 40 l/min



**Symbol:**



**Ordercode:**