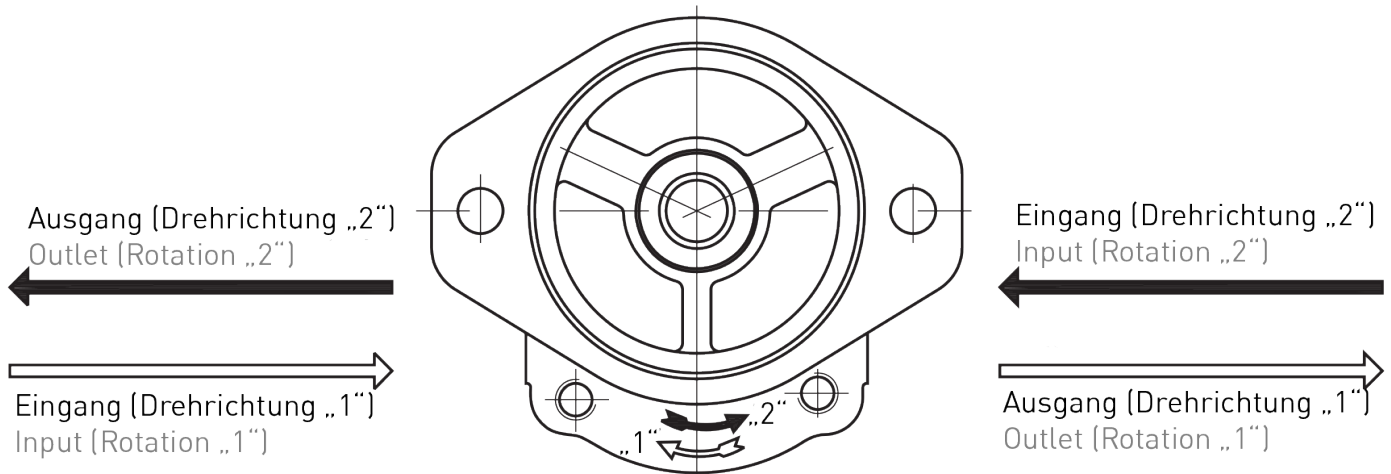


ZAHNRADPUMPE - 31(2) - Standard Einzelpumpen

GEARPUMP - 31(2) - Standard Single Pumps

BESTELLCODE
ORDER CODE



| 1. | Gruppe Group | 2. | Drehrichtung Rotation direction | 3. | Schluckvolumen Displacement | 4. | Abtriebswelle(n) Drive shaft(s) | 5. | ***{**} | 6. | Anschlüsse* Ports* |
|----|-----------------|----|------------------------------------|------|--------------------------------|----|---|----|---------|----|-----------------------|
| 1 | 1 | 1 | Rechtsdrehend Rotation right | 20 | 20 cm ³ | 0 | Welle einseitig Through front cover | | | M | Metrisch Metric |
| | | | | 22,5 | 22,5 cm ³ | | | | | G | Gas Gas |
| | | 2 | Linksdrehend Rotation left | 25 | 25 cm ³ | 1 | Welle beidseitig Through both covers | | | U | SAE J475 SAE J475 |
| | | | | 28 | 28 cm ³ | | | | | | |
| | | 3 | Reversierend Reversible | 32 | 32 cm ³ | | | | | | |
| | | | | 36 | 36 cm ³ | | | | | | |
| | | | | 42 | 42 cm ³ | | | | | | |
| | | | | 46 | 46 cm ³ | | | | | | |
| | | | | 50 | 50 cm ³ | | | | | | |
| | | | | 55 | 55 cm ³ | | | | | | |
| | | | | 60 | 60 cm ³ | | | | | | |

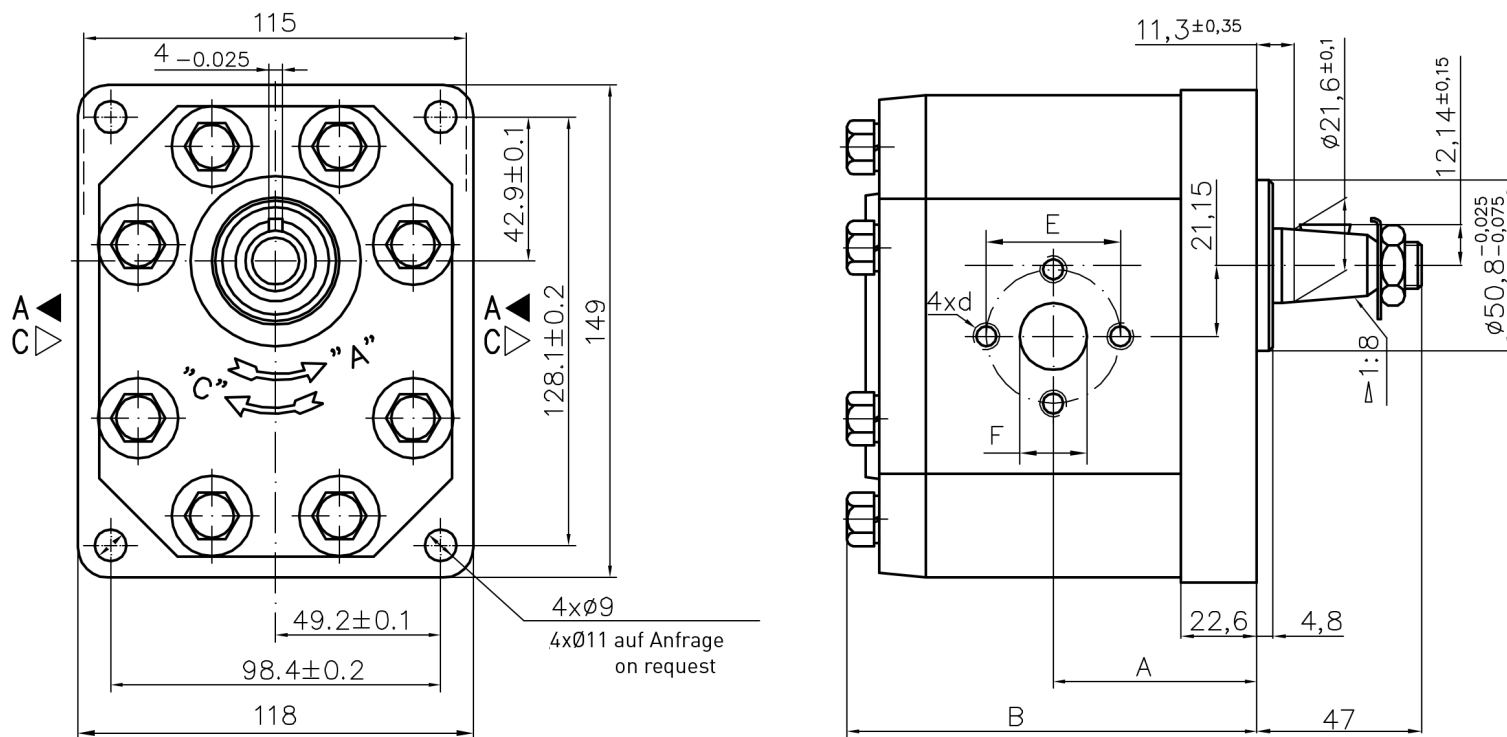
* Nur bei Pumpen mit Gewindeanschluss
Only for pumps with thread connection

Beispiel: 31200292 - Zahnradpumpe Gruppe 3, Drehrichtung rechts, Schluckvolumen 20 cm³/U, Flansch- und Wellenausführung 292.

Example: 31200292 - Gear pump group 3, rotation direction right, displacement 20 ccm/REV, flange and shaft version 292.

Typ 31(2)...292

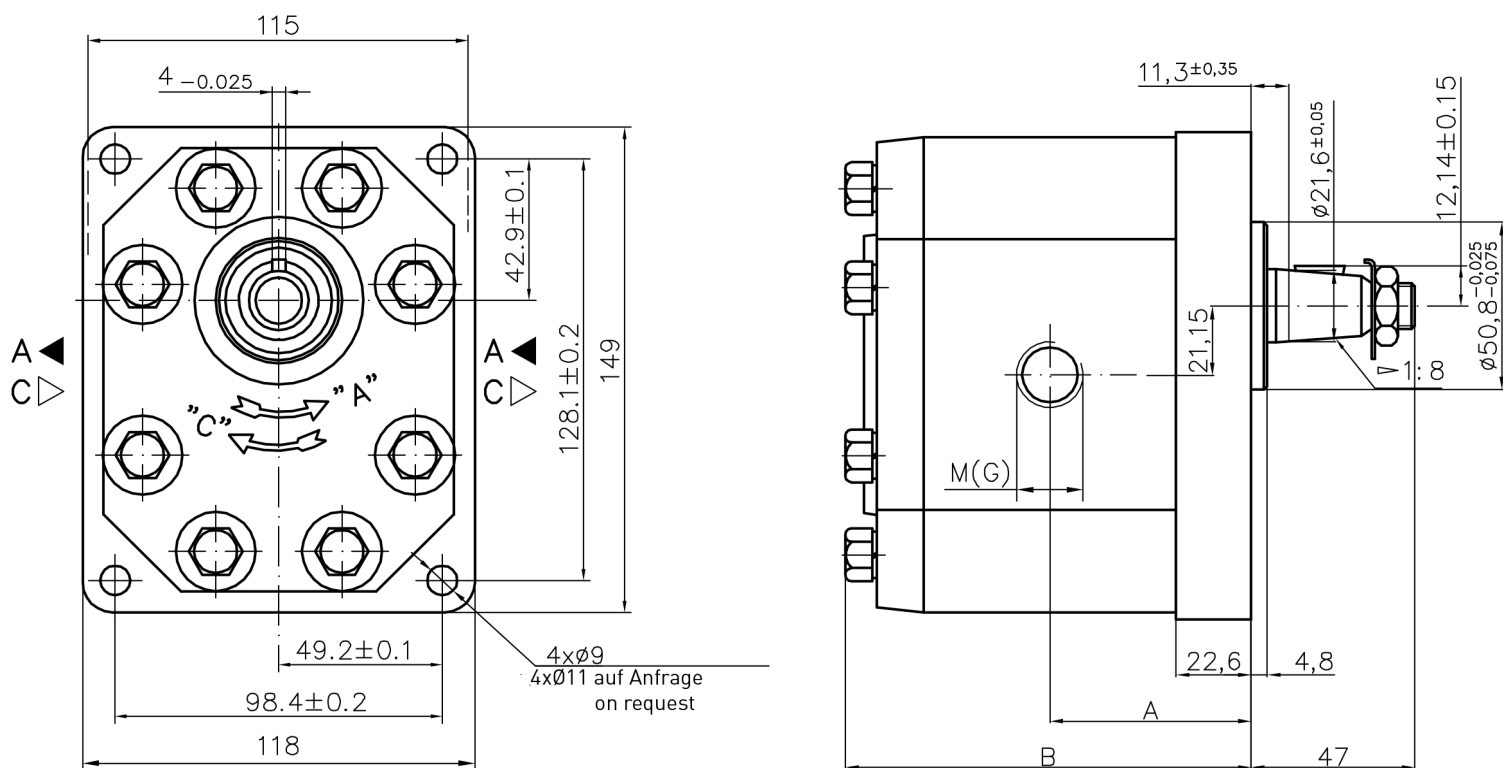
Type 31(2)...292



| Pumpentyp Type of Pump | | Fördervolumen Displacement | Fördermenge Flow rate | | Druck Pressure | max. Drehzahl max. speed | Maß Dimension | | | | | | | |
|---------------------------|---------------|---|--------------------------|--------------------------|-------------------|-----------------------------|------------------|-------|---------------|-----|----|----------------|----|----|
| Rechts Right | Links Left | | @ 1500 min ⁻¹ | @ max. min ⁻¹ | P _{nom} | n | A | B | Eingang Inlet | | | Ausgang Outlet | | |
| | | cm ³ /U cm ³ /rev | l/min | l/min | bar | U/min rpm | mm | mm | E | d | F | E | d | F |
| 31200292 | 32200292 | 20 | 28,2 | 56,4 | 250 | 3000 | 56,1 | 116,7 | 40 | M8 | 19 | 40 | M8 | 19 |
| 31225292 | 32225292 | 22,5 | 31,7 | 63,5 | 250 | 3000 | 57,6 | 119,7 | | | | | | |
| 31250292 | 32250292 | 25 | 35,3 | 70,5 | 250 | 3000 | 58,3 | 121,1 | | | | | | |
| 31280292 | 32280292 | 28 | 39,5 | 79,0 | 250 | 3000 | 60,2 | 124,7 | | | | | | |
| 31320292 | 32320292 | 32 | 45,1 | 75,2 | 250 | 2500 | 62 | 128,3 | 51 | M10 | 27 | | | |
| 31320292-1 | 32320292-1 | 32 | 45,1 | 90,2 | 250 | 3000 | 66,5 | 137,3 | | | | | | |
| 31360292 | 32360292 | 36 | 50,8 | 84,6 | 250 | 2500 | 63,5 | 131,4 | | | | | | |
| 31360292-1 | 32360292-1 | 36 | 51,3 | 95,8 | 250 | 2800 | 68 | 140,5 | | | | | | |
| 31420292 | 32420292 | 42 | 59,9 | 91,8 | 230 | 2300 | 66,3 | 137,0 | | | | | | |
| 31420292-1 | 32420292-1 | 42 | 59,9 | 99,8 | 230 | 2500 | 70,8 | 146,1 | | | | | | |
| 31460292 | 32460292 | 46 | 65,6 | 100,5 | 230 | 2300 | 72,7 | 149,8 | | | | | | |
| 31500292 | 32500292 | 50 | 71,3 | 99,8 | 200 | 2100 | 74,5 | 153,4 | | | | | | |
| 31550292 | 32550292 | 55 | 78,4 | 91,4 | 200 | 1750 | 76,7 | 157,9 | | | | | | |
| 31600292 | 32600292 | 60 | 85,5 | 99,8 | 180 | 1750 | 78,7 | 162,4 | | | | | | |

Typ 31(2)...326

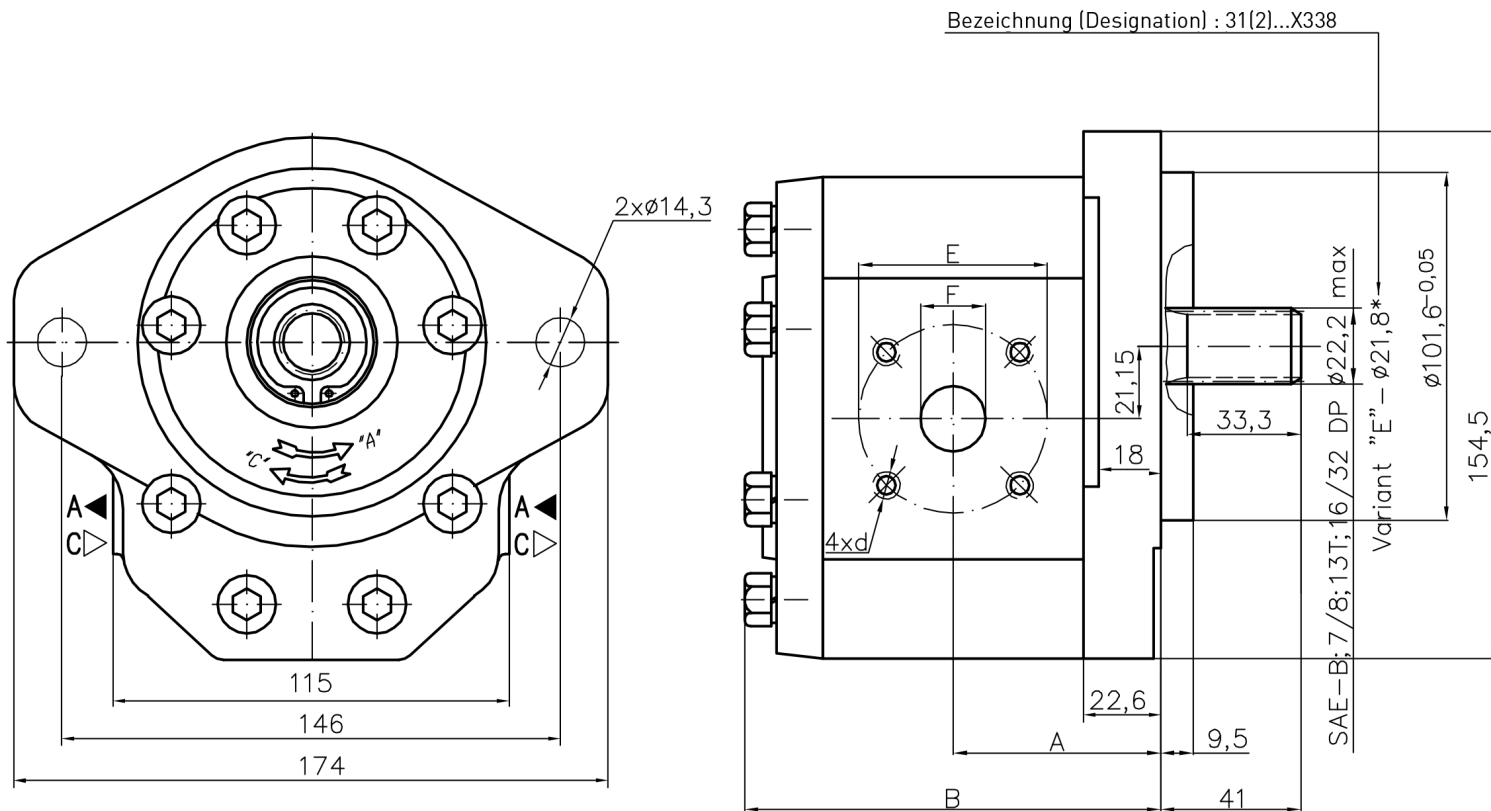
Type 31(2)...326



| Pumpentyp Type of Pump | | Fördervolumen Displacement | Fördermenge Flow rate | | Druck Pressure | max. Drehzahl max. speed | Maß Dimension | | | | | | | |
|---------------------------|---------------|---|-----------------------------------|-----------------------------------|-------------------------|-----------------------------|------------------|---------|---------------|---------|---------|----------------|---------|---------|
| Rechts Right | Links Left | cm ³ /U cm ³ /rev | l/min @ 1500 min ⁻¹ | l/min @ max. min ⁻¹ | P _{nom} bar | n U/min rpm | A mm | B mm | Eingang Inlet | | | Ausgang Outlet | | |
| | | | | | | | | | M | G | G3 | M | G | G3 |
| 31200326 | 32200326 | 20 | 28,2 | 56,4 | 250 | 3000 | 56,1 | 116,7 | M27x1,5 | G3/4"-A | G3/4"-A | M27x1,5 | G3/4"-A | G3/4"-A |
| 31225326 | 32225326 | 22,5 | 31,7 | 63,5 | 250 | 3000 | 57,6 | 119,7 | | | | | | |
| 31250326 | 32250326 | 25 | 35,3 | 70,5 | 250 | 3000 | 58,3 | 121,1 | | | | | | |
| 31280326 | 32280326 | 28 | 39,5 | 79,0 | 250 | 3000 | 60,2 | 124,7 | | | | | | |
| 31320326 | 32320326 | 32 | 45,1 | 75,2 | 250 | 2500 | 62 | 128,3 | | | | | | |
| 31320326-1 | 32320326-1 | 32 | 45,1 | 90,2 | 250 | 3000 | 66,5 | 137,3 | | | | | | |
| 31360326 | 32360326 | 36 | 50,8 | 84,6 | 250 | 2500 | 63,5 | 131,4 | | | | | | |
| 31360326-1 | 32360326-1 | 36 | 51,3 | 95,8 | 250 | 2800 | 68 | 140,5 | | | | | | |
| 31420326 | 32420326 | 42 | 59,9 | 91,8 | 230 | 2300 | 66,3 | 137,0 | | | | | | |
| 31420326-1 | 32420326-1 | 42 | 59,9 | 99,8 | 230 | 2500 | 70,8 | 146,1 | | | | | | |
| 31460326 | 32460326 | 46 | 65,6 | 100,5 | 230 | 2300 | 72,7 | 149,8 | | | | | | |
| 31500326 | 32500326 | 50 | 71,3 | 99,8 | 200 | 2100 | 74,5 | 153,4 | | | | | | |
| 31550326 | 32550326 | 55 | 78,4 | 91,4 | 200 | 1750 | 76,7 | 157,9 | | | | | | |
| 31600326 | 32600326 | 60 | 85,5 | 99,8 | 180 | 1750 | 78,7 | 162,4 | M33x1,5 | G1"-A | G1"-A | M27x1,5 | G3/4"-A | G3/4"-A |
| | | | | | | | | | | | | | | |

Typ 31(2)...338

Type 31(2)...338



| Pumpentyp Type of Pump | | Fördervolumen Displacement | Fördermenge Flow rate | | Druck Pressure | max. Drehzahl max. speed | Maß Dimension | | | | | | | |
|---------------------------|---------------|---|--------------------------|--------------------------|-------------------|-----------------------------|------------------|-------|---------------|-----|----|----------------|----|----|
| Rechts Right | Links Left | | @ 1500 min ⁻¹ | @ max. min ⁻¹ | P _{nom} | n | A | B | Eingang Inlet | | | Ausgang Outlet | | |
| | | cm ³ /U cm ³ /rev | l/min | l/min | bar | U/min rpm | mm | mm | E | d | F | E | d | F |
| 31200338 | 32200338 | 20 | 28,2 | 56,4 | 250 | 3000 | 56,1 | 116,7 | 40 | M8 | 19 | 40 | M8 | 19 |
| 31225338 | 32225338 | 22,5 | 31,7 | 63,5 | 250 | 3000 | 57,6 | 119,7 | | | | | | |
| 31250338 | 32250338 | 25 | 35,3 | 70,5 | 250 | 3000 | 58,3 | 121,1 | 55 | M10 | 27 | 55 | M8 | 19 |
| 31280338 | 32280338 | 28 | 39,5 | 79,0 | 250 | 3000 | 60,2 | 124,7 | | | | | | |
| 31320338 | 32320338 | 32 | 45,1 | 75,2 | 250 | 2500 | 62 | 128,3 | 55 | M10 | 27 | 55 | M8 | 19 |
| 31320338-1 | 32320338-1 | 32 | 45,1 | 90,2 | 250 | 3000 | 66,5 | 137,3 | | | | | | |
| 31360338 | 32360338 | 36 | 50,8 | 84,6 | 250 | 2500 | 63,5 | 131,4 | 55 | M10 | 27 | 55 | M8 | 19 |
| 31360338-1 | 32360338-1 | 36 | 51,3 | 95,8 | 250 | 2800 | 68 | 140,5 | | | | | | |
| 31420338 | 32420338 | 42 | 59,9 | 91,8 | 230 | 2300 | 66,3 | 137,0 | 55 | M10 | 27 | 55 | M8 | 19 |
| 31420338-1 | 32420338-1 | 42 | 59,9 | 99,8 | 230 | 2500 | 70,8 | 146,1 | | | | | | |
| 31460338 | 32460338 | 46 | 65,6 | 100,5 | 230 | 2300 | 72,7 | 149,8 | 55 | M10 | 27 | 55 | M8 | 19 |
| 31500338 | 32500338 | 50 | 71,3 | 99,8 | 200 | 2100 | 74,5 | 153,4 | | | | | | |
| 31550338 | 32550338 | 55 | 78,4 | 91,4 | 200 | 1750 | 76,7 | 157,9 | 55 | M10 | 27 | 55 | M8 | 19 |
| 31600338 | 32600338 | 60 | 85,5 | 99,8 | 180 | 1750 | 78,7 | 162,4 | | | | | | |