



PLANETENMOTOR SR ORBITAL MOTOR SR

ANWENDUNG

- o Förderbänder
- o Metallbearbeitungsmaschinen
- o Fördertechnik für Roboter
- o Landmaschinen
- o Nahrungsmittelindustrie
- o Textilmaschinen
- o u.a.

APPLICATION

- o Conveyors
- o Metal working machines
- o Feeding mechanism of robots and maipulators
- o Agricultural machines
- o Food industries
- o Textile machines
- o etc.

BAUWEISE UND AUSFÜHRUNGEN

- o Modell: Längsschieberventil, Planetenrollersatz
- o Ovalflansch oder Quadratflansch
- o Anschlüsse: Seitlich, BSPP Gewinde
- o Wellen: Zylindrisch, konisch oder verzahnt
- o Motor mit Tachowelle

CONSTRUCTION AND OPTIONS

- o Model: Spool valve, roll-gerotor
- o Ovalflange or squareflange
- o Ports: Side ports, BSPP threaded
- o Shafts: Straight, tapered or splined
- o Motor with tacho connection

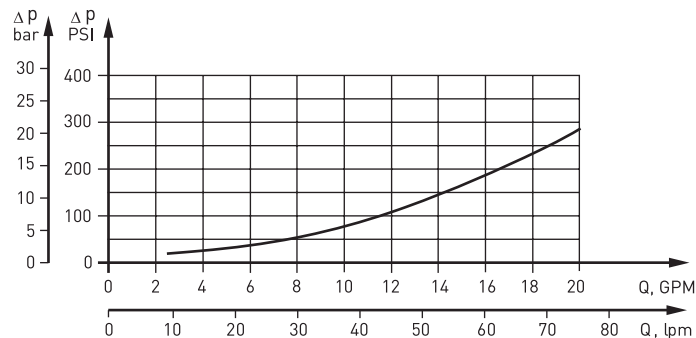
ÜBERSICHT OVERVIEW

Max. Schluckvolumen	Max. Displacement	cm ³ /U	ccm/rev	[in ³ /rev]	397,0 [24.22]
Max. Drehzahl	Max. Speed	U/min	rpm		970
Max. Drehmoment	Max. Torque	daNm		[in/lb]	69,0 [6107]
Max. Leistungsabgabe	Max. Output	kW		[HP]	15,0 [20.1]
Max. Druckgefälle	Max. Pressure drop	bar		[PSI]	200 [2900]
Max. Ölstrom	Max. Oil flow	l/min	lpm	[GPM]	75 [19.8]
Min. Drehzahl	Min. Speed	U/min	rpm		10
Hydrauliköl	Pressure fluid				HLP (DIN 51524) oder or HM (ISO 6743/4)
Öltemperatur	Temperature range	° C		[° F]	-40 ÷ 140 [-40 ÷ 284]
Optimalviskosität	Optimal viscosity range	mm ² /s		[SUS]	20 ÷ 75 [98 ÷ 347]
Filtrierung	Filtration				ISO code 20/16 (min. empfohlene Filtrierung recommended filtration 25 µm)

ÖLSTROM LECKÖLLEITUNG OIL FLOW DRAIN LINE

Druckgefälle Pressure drop bar [PSI]	Viskosität Viscosity mm ² /s [SUS]	Ölstrom Oilflow l/min lpm [GPM]
100 [1450]	20 [98]	2,5 [.660]
	35 [164]	1,8 [.476]
140 [2030]	20 [98]	3,5 [.925]
	35 [164]	2,8 [.740]

DRUCKVERLUST PRESSURE LOSSES



TECHNISCHE DATEN TECHNICAL DATA

Wellenoption C und CO Shaft option C and CO

Typ Type		SR 50	SR 80	SR 100	SR 125	SR 160	SR 200	SR 250	SR 315	SR 400
Schluckvolumen Displacement	cm ³ /U ccm/rev [in ³ /rev]	51,5 [3.14]	80,3 [4.90]	99,8 [6.09]	125,7 [7.67]	159,6 [9.74]	199,8 [12.19]	250,1 [15.26]	315,7 [19.26]	397,0 [24.40]
Max. Drehzahl Max. Speed U/min RPM	Dauerbetrieb Continuous	775	750	600	475	375	300	240	190	150
	Int. * Int. *	970	940	750	600	470	375	300	240	190
Max. Drehmoment Max. Torque daNm [lb-in]	Dauerbetrieb Continuous	10,0 [900]	20,0 [1170]	24,0 [2125]	30,0 [2644]	29,0 [2566]	29,0 [2566]	30,0 [2644]	30,0 [2644]	30,0 [2644]
	Int. * Int. *	13,0 [1150]	22,0 [1947]	28,0 [2480]	34,0 [3010]	39,0 [3450]	39,0 [3450]	39,0 [3450]	42,0 [3717]	40,0 [3450]
	Spitze ** Peak **	17,0 [1505]	27,0 [2390]	32,0 [2832]	37,0 [3275]	46,0 [4070]	56,0 [4960]	60,0 [5310]	61,0 [5400]	61,0 [5400]
Max. Leistungsabgabe Max. Output kW [HP]	Dauerbetrieb Continuous	7,0 [9.5]	12,5 [17.0]	13,0 [17.4]	12,5 [16.8]	9,0 [12.0]	7,5 [10.0]	6,0 [8.1]	5,0 [6.7]	3,8 [5.1]
	Int. * Int. *	8,5 [11.9]	15,0 [20.1]	15,0 [20.1]	14,5 [19.5]	12,5 [17.0]	10,0 [13.4]	8,0 [10.7]	6,5 [8.7]	6,1 [8.2]
Max. Druckgefälle Max. Pressure drop bar [PSI]	Dauerbetrieb Continuous	140 [2030]	175 [2540]	175 [2540]	175 [2540]	120 [1740]	105 [1520]	80 [1160]	70 [1015]	55 [798]
	Int. * Int. *	175 [2540]	200 [2900]	200 [2900]	200 [2900]	175 [2540]	140 [2030]	110 [1600]	100 [1450]	70 [1015]
	Spitze ** Peak **	225 [3260]	225 [3260]	225 [3260]	225 [3260]	225 [3260]	225 [3260]	200 [2900]	150 [2175]	115 [1670]
Max. Ölstrom Max. Oil flow l/min lpm [GPM]	Dauerbetrieb Continuous	40 [10.5]	60 [15.9]	60 [15.9]	60 [15.9]	60 [15.9]	60 [15.9]	60 [15.9]	60 [15.9]	60 [15.9]
	Int. * Int. *	50 [13.2]	75 [19.8]	75 [19.8]	75 [19.8]	75 [19.8]	75 [19.8]	75 [19.8]	75 [19.8]	75 [19.8]
Max. Eingangsdruck Max. Inlet pressure bar [PSI]	Dauerbetrieb Continuous	175 [2540]	175 [2540]	175 [2540]	175 [2540]	175 [2540]	175 [2540]	175 [2540]	175 [2540]	175 [2540]
	Int. * Int. *	200 [2900]	200 [2900]	200 [2900]	200 [2900]	200 [2900]	200 [2900]	200 [2900]	200 [2900]	200 [2900]
	Spitze ** Peak **	225 [3260]	225 [3260]	225 [3260]	225 [3260]	225 [3260]	225 [3260]	225 [3260]	225 [3260]	225 [3260]
Max. Anlaufdruck mit unbelasteter Welle Max. Starting pressure with unloaded shaft	bar [PSI]	10 [145]	10 [145]	10 [145]	9 [131]	7 [100]	5 [73]	4 [58]	3 [43]	3 [43]
Min. Anlaufmoment Min. Starting torque	daNm [lb-in]	8,0 [710]	15,0 [1330]	20,0 [1770]	24,0 [2124]	23,0 [2035]	23,0 [2035]	24,0 [2124]	26,0 [2300]	26,0 [2300]

* Intermittierend: Betrieb max. 10% pro Minute

** Spitze: max. 1% pro Minute

○ Intermittierende Druckgefälle und Ölströme dürfen nicht gleichzeitig erreicht werden.

○ Minimale Viskosität 13 mm²/s [70 SUS] bei 50 °C [122 °F]

○ Maximale Öltemperatur während des Betriebs 82 °C [180 °F]

○ Die Lebensdauer der Motoren kann erhöht werden, wenn die Antriebswelle 10-15 Minuten vor voller Belastung frei läuft.

* Intermittent: Working max. 10% per minute

** Peak: max. 1% per minute

○ Int. speed and pressure should not occur simultaneously.

○ Recommended min. oil viscosity 13 mm²/s [70 SUS] at 50 °C [122 °F]

○ Recommended max. system operating temperature is 82 °C [180 °F]

○ To assure optimum motor life fill with fluid prior to loading and run at moderate load and speed for 10-15 minutes.

TECHNISCHE DATEN TECHNICAL DATA

Wellenoption SH Shaft option SH

Typ Type		SR 50	SR 80	SR 100	SR 125	SR 160	SR 200	SR 250	SR 315	SR 400
Schluckvolumen Displacement	cm ³ /U ccm/rev [in ³ /rev]	51,5 [3.14]	80,3 [4.90]	99,8 [6.09]	125,7 [7.67]	159,6 [9.74]	199,8 [12.19]	250,1 [15.26]	315,7 [19.26]	397,0 [24.40]
Max. Drehzahl Max. Speed U/min RPM	Dauerbetrieb Continuous	775	750	600	475	375	300	240	190	150
	Int. * Int. *	970	940	750	600	470	375	300	240	190
Max. Drehmoment Max. Torque daNm [lb-in]	Dauerbetrieb Continuous	10,0 [900]	20,0 [1170]	24,0 [2125]	30,0 [2644]	39,0 [3450]	38,5 [3410]	38,0 [3360]	39,0 [3450]	38,0 [3360]
	Int. * Int. *	13,0 [1150]	22,0 [1947]	28,0 [2480]	34,0 [3010]	43,0 [3805]	46,0 [4070]	47,0 [4160]	48,0 [4248]	47,0 [4160]
	Spitze ** Peak **	17,0 [1505]	27,0 [2390]	32,0 [2832]	37,0 [3275]	46,0 [4070]	56,0 [4960]	60,0 [5310]	61,0 [5400]	61,0 [5400]
Max. Leistungsabgabe Max. Output kW [HP]	Dauerbetrieb Continuous	7,0 [9.5]	12,5 [17.0]	13,0 [17.4]	12,5 [16.8]	11,5 [15.4]	9,0 [12.0]	8,0 [10.7]	5,0 [6.7]	4,8 [6.4]
	Int. * Int. *	8,5 [11.9]	15,0 [20.1]	15,0 [20.1]	14,5 [19.5]	14,0 [18.8]	12,0 [16.1]	9,5 [12.7]	8,0 [10.7]	6,8 [9.1]
Max. Druckgefälle Max. Pressure drop bar [PSI]	Dauerbetrieb Continuous	140 [2030]	175 [2540]	175 [2540]	175 [2540]	175 [2540]	140 [2030]	110 [1600]	85 [1232]	70 [1015]
	Int. * Int. *	175 [2540]	200 [2900]	200 [2900]	200 [2900]	200 [2900]	175 [2540]	140 [2030]	115 [1668]	90 [1305]
	Spitze ** Peak **	225 [3260]	225 [3260]	225 [3260]	225 [3260]	225 [3260]	225 [3260]	200 [2900]	150 [2175]	115 [1670]
Max. Ölstrom Max. Oil flow l/min lpm [GPM]	Dauerbetrieb Continuous	40 [10.5]	60 [15.9]	60 [15.9]	60 [15.9]	60 [15.9]	60 [15.9]	60 [15.9]	60 [15.9]	60 [15.9]
	Int. * Int. *	50 [13.2]	75 [19.8]	75 [19.8]	75 [19.8]	75 [19.8]	75 [19.8]	75 [19.8]	75 [19.8]	75 [19.8]
Max. Eingangsdruck Max. Inlet pressure bar [PSI]	Dauerbetrieb Continuous	175 [2540]	175 [2540]	175 [2540]	175 [2540]	175 [2540]	175 [2540]	175 [2540]	175 [2540]	175 [2540]
	Int. * Int. *	200 [2900]	200 [2900]	200 [2900]	200 [2900]	200 [2900]	200 [2900]	200 [2900]	200 [2900]	200 [2900]
	Spitze ** Peak **	225 [3260]	225 [3260]	225 [3260]	225 [3260]	225 [3260]	225 [3260]	225 [3260]	225 [3260]	225 [3260]
Max. Anlaufdruck mit unbelasteter Welle Max. Starting pressure with unloaded shaft	bar [PSI]	10 [145]	10 [145]	10 [145]	9 [131]	7 [100]	5 [73]	4 [58]	3 [43]	3 [43]
Min. Anlaufmoment Min. Starting torque	daNm [lb-in]	8,0 [710]	15,0 [1330]	20,0 [1770]	24,0 [2124]	32,0 [2832]	33,0 [2920]	31,0 [2740]	31,5 [2788]	31,5 [2788]

- * Intermittierend: Betrieb max. 10% pro Minute
- ** Spitze: max. 1% pro Minute
- Intermittierende Druckgefälle und Ölströme dürfen nicht gleichzeitig erreicht werden.
- Minimale Viskosität 13 mm²/s [70 SUS] bei 50 °C [122 °F]
- Maximale Öltemperatur während des Betriebs 82 °C [180 °F]
- Die Lebensdauer der Motoren kann erhöht werden, wenn die Antriebswelle 10-15 Minuten vor voller Belastung frei läuft.

- * Intermittent: Working max. 10% per minute
- ** Peak: max. 1% per minute
- Int. speed and pressure should not occur simultaneously.
- Recommended min. oil viscosity 13 mm²/s [70 SUS] at 50 °C [122 °F]
- Recommended max. system operating temperature is 82 °C [180 °F]
- To assure optimum motor life fill with fluid prior to loading and run at moderate load and speed for 10-15 minutes.

TECHNISCHE DATEN

TECHNICAL DATA

Wellenoption K, CB und CA
Shaft option K, CB and CA

Typ Type		SR 50	SR 80	SR 100	SR 125	SR 160	SR 200	SR 250	SR 315	SR 400
Schluckvolumen Displacement	cm ³ /U ccm/rev [in ³ /rev]	51,5 [3.14]	80,3 [4.90]	99,8 [6.09]	125,7 [7.67]	159,6 [9.74]	199,8 [12.19]	250,1 [15.26]	315,7 [19.26]	397,0 [24.40]
Max. Drehzahl Max. Speed U/min RPM	Dauerbetrieb Continuous	775	750	600	475	375	300	240	190	150
	Int. * Int. *	970	940	750	600	470	375	300	240	190
Max. Drehmoment Max. Torque daNm [lb-in]	Dauerbetrieb Continuous	10,0 [900]	20,0 [1170]	24,0 [2125]	30,0 [2644]	39,0 [3450]	45,0 [3983]	57,0 [5045]	57,0 [5045]	60,0 [5310]
	Int. * Int. *	13,0 [1150]	22,0 [1947]	28,0 [2480]	34,0 [3010]	43,0 [3805]	50,0 [4425]	61,0 [5400]	69,0 [6107]	69,0 [6107]
	Spitze ** Peak **	17,0 [1505]	27,0 [2390]	32,0 [2832]	37,0 [3275]	46,0 [4070]	56,0 [4960]	71,0 [6284]	84,0 [7434]	87,0 [8700]
Max. Leistungsabgabe Max. Output kW [HP]	Dauerbetrieb Continuous	7,0 [9.5]	12,5 [17.0]	13,0 [17.4]	12,5 [16.8]	11,5 [15.4]	11,0 [14.7]	10,0 [13.4]	9,0 [12.0]	7,8 [10.5]
	Int. * Int. *	8,5 [11.9]	15,0 [20.1]	15,0 [20.1]	14,5 [19.5]	14,0 [18.8]	13,0 [17.4]	12,0 [16.1]	10,0 [13.4]	10,6 [14.2]
Max. Druckgefälle Max. Pressure drop bar [PSI]	Dauerbetrieb Continuous	140 [2030]	175 [2540]	175 [2540]	175 [2540]	175 [2540]	175 [2540]	175 [2540]	135 [1958]	110 [1600]
	Int. * Int. *	175 [2540]	200 [2900]	200 [2900]	200 [2900]	200 [2900]	200 [2900]	200 [2900]	175 [2540]	140 [2030]
	Spitze ** Peak **	225 [3260]	225 [3260]	225 [3260]	225 [3260]	225 [3260]	225 [3260]	225 [3260]	210 [3045]	175 [2540]
Max. Ölstrom Max. Oil flow l/min lpm [GPM]	Dauerbetrieb Continuous	40 [10.5]	60 [15.9]	60 [15.9]	60 [15.9]	60 [15.9]	60 [15.9]	60 [15.9]	60 [15.9]	60 [15.9]
	Int. * Int. *	50 [13.2]	75 [19.8]	75 [19.8]	75 [19.8]	75 [19.8]	75 [19.8]	75 [19.8]	75 [19.8]	75 [19.8]
Max. Eingangsdruck Max. Inlet pressure bar [PSI]	Dauerbetrieb Continuous	175 [2540]	175 [2540]	175 [2540]	175 [2540]	175 [2540]	175 [2540]	175 [2540]	175 [2540]	175 [2540]
	Int. * Int. *	200 [2900]	200 [2900]	200 [2900]	200 [2900]	200 [2900]	200 [2900]	200 [2900]	200 [2900]	200 [2900]
	Spitze ** Peak **	225 [3260]	225 [3260]	225 [3260]	225 [3260]	225 [3260]	225 [3260]	225 [3260]	225 [3260]	225 [3260]
Max. Anlaufdruck mit unbelasteter Welle Max. Starting pressure with unloaded shaft	bar [PSI]	10 [145]	10 [145]	10 [145]	9 [131]	7 [100]	5 [73]	4 [58]	3 [43]	3 [43]
Min. Anlaufmoment Min. Starting torque	daNm [lb-in]	8,0 [710]	15,0 [1330]	20,0 [1770]	24,0 [2124]	32,0 [2832]	41,0 [3630]	50,0 [4425]	50,0 [4425]	50,0 [4425]

* Intermittierend: Betrieb max. 10% pro Minute

** Spitze: max. 1% pro Minute

○ Intermittierende Druckgefälle und Ölströme dürfen nicht gleichzeitig erreicht werden.

○ Minimale Viskosität 13 mm²/s [70 SUS] bei 50 °C [122 °F]

○ Maximale Öltemperatur während des Betriebs 82 °C [180 °F]

○ Die Lebensdauer der Motoren kann erhöht werden, wenn die Antriebswelle 10-15 Minuten vor voller Belastung frei läuft.

* Intermittent: Working max. 10% per minute

** Peak: max. 1% per minute

○ Int. speed and pressure should not occur simultaneously.

○ Recommended min. oil viscosity 13 mm²/s [70 SUS] at 50 °C [122 °F]

○ Recommended max. system operating temperature is 82 °C [180 °F]

○ To assure optimum motor life fill with fluid prior to loading and run at moderate load and speed for 10-15 minutes.

BESTELLCODE ORDER CODE

SR	1	2	3	4	5	6
----	---	---	---	---	---	---

1.	Montageflansch Mounting flange
frei omit	Ovalflansch, zwei Befestigungslöcher Oval mount two holes
F	Ovalflansch, vier Befestigungslöcher Oval mount four holes
Q	Quadratflansch, vier Gewindebohrungen Square mount four bolts

2.	Schluckvolumen Displacement
50	49,5 cm ³ /U ccm/rev. [3.02 in ³ /rev]
80	79,2 cm ³ /U ccm/rev. [4.83 in ³ /rev]
100	99,0 cm ³ /U ccm/rev. [6.04 in ³ /rev]
125	123,8 cm ³ /U ccm/rev. [7.55 in ³ /rev]
160	158,4 cm ³ /U ccm/rev. [9.66 in ³ /rev]
200	198,0 cm ³ /U ccm/rev. [12.10 in ³ /rev]
250	247,5 cm ³ /U ccm/rev. [15,10 in ³ /rev]
315	316,8 cm ³ /U ccm/rev. [19.30 in ³ /rev]
400	396,0 cm ³ /U ccm/rev. [24.16 in ³ /rev]

3.	Abtriebswelle (Zul. Momentabgabe darf nicht überschritten werden) Shaft (Permissible output torque should not be exceeded)
C	Zylindrisch Ø25, Passfeder A8x7x30 DIN6885 Straight Ø25, parallel key A8x7x30 DIN6885
CO	Zylindrisch Ø1", Passfeder 1/4"x1/4"x1 1/4" BS246 Straight Ø1", parallel key 1/4"x1/4"x1 1/4" BS246

CB*	Zylindrisch Ø32, Passfeder 10x8x40 DIN6885 Straight Ø32, parallel key 10x8x40 DIN6885
CA*	Zylindrisch Ø1 1/4", Passfeder 5/16"x5/16"x1 1/4" BS246 Straight Ø1", parallel key 5/16"x5/16"x1 1/4" BS246
SH	Verzahnt Ø25,32 BS2059 [SAE 6 B] Splined Ø25,32, BS2059 [SAE 6 B]
K*	Konisch 1:10, Ø35, Scheibenfeder 6x9 DIN6888 Tapered 1:10, Ø35, woodruff key 6x9 DIN6888

4.	Version Wellendichtung Shaft seal version
frei omit	Standard Wellendichtung Standard shaft seal
U**	Hochdruck Wellendichtung High pressure shaft

5.	Sonderausführungen Special features
T***	Tachowelle Tacho connection
R	Drehrichtung umgedreht Reverse rotation
P	Lackiert (Farbe auf Anfrage) Paint (colour on request)
PC	Korrosionsschutzfarbe (Farbe auf Anfrage) Corrosion protected paint (colour on request)

6.	Design Serie Design series
frei omit	Betriebsspezifisch Factory specified

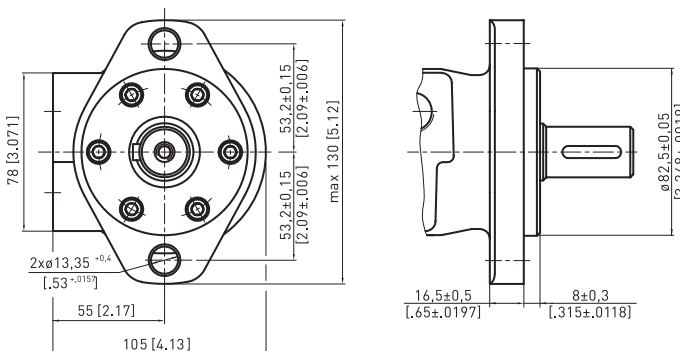
* Nur mit Flanschoption F erhältlich
Only available with flange option F

** Nicht für Wellenoptionen K, CA und CB erhältlich
Not available for shaft option K, CA and CB

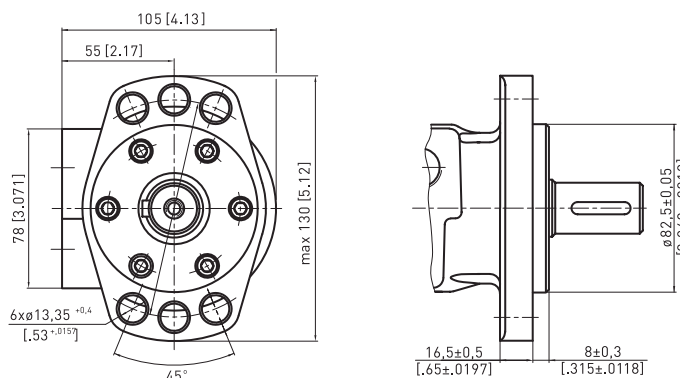
*** Nicht für Wellenoptionen K, CA und CB sowie Flanschoption Q erhältlich
Not available for shaft option K, CA and CB as well as flange option Q

1. MONTAGEFLANSCH 1. MOUNTING FLANGE

Standard: Ovalflansch, 2 Befestigungslöcher
Standard: Oval mount, 2 holes

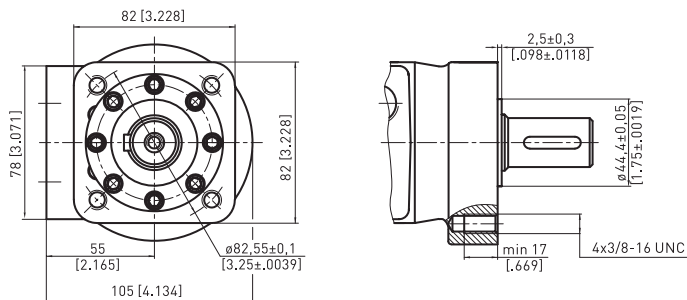


Option F: Ovalflansch, 4 Befestigungslöcher
Option F: Oval mount, 4 holes



Option Q: Quadratflansch, 4 Gewindebohrungen

Option Q: Square mount, 4 bolts

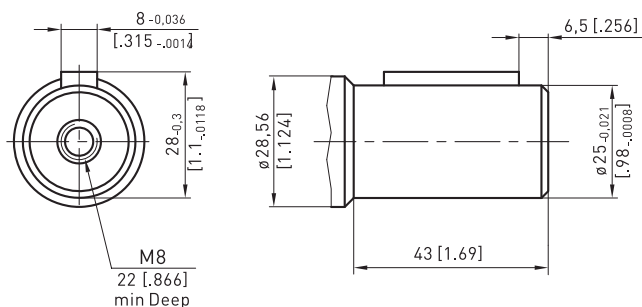


3. ABTRIEBSWELLE

3. SHAFT

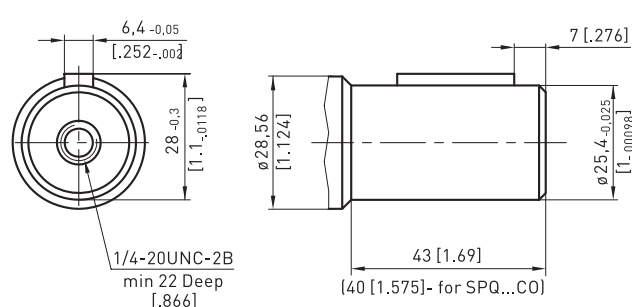
Option C: Zylindrisch Ø25 mm

Option C: Straight Ø 25 mm



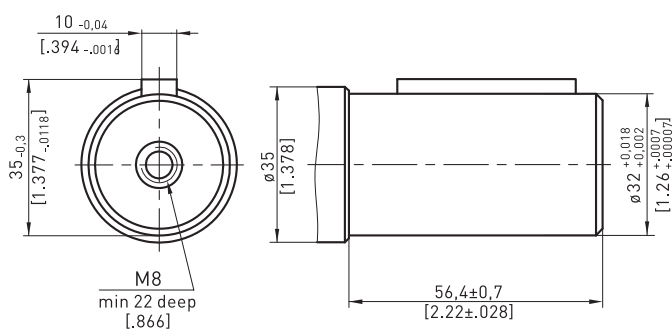
Option CO: Zylindrisch Ø1"

Option CO: Straight Ø1"



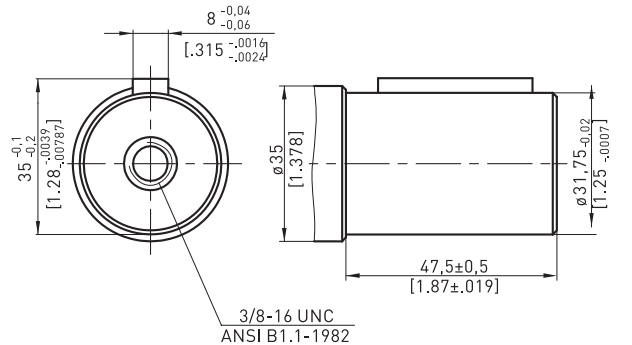
Option CB: Zylindrisch Ø32 mm

Option CB: Straight Ø 32 mm



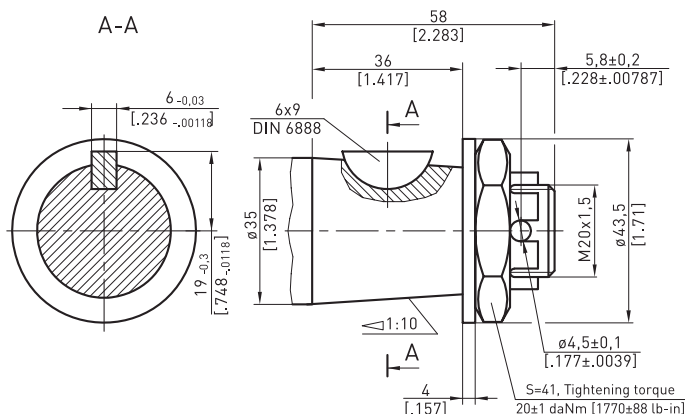
Option CA: Zylindrisch Ø1 1/4"

Option CA: Straight Ø1 1/4"



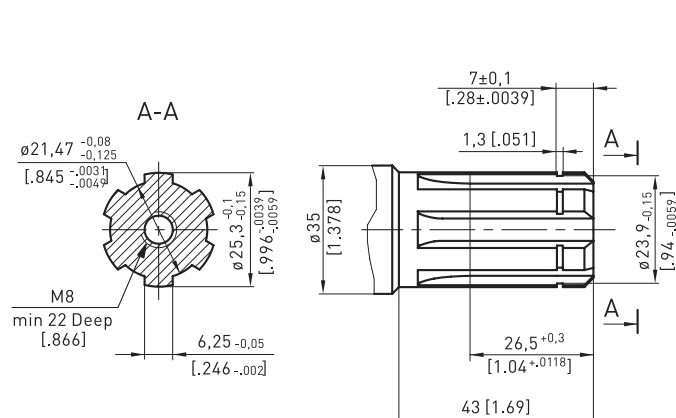
Option KB: Konisch 1:10, Ø35 mm

Option KB: Tapered 1:10, Ø35 mm



Option SH: Verzahnt SAE 6 B

Option SH: Splined SAE 6 B

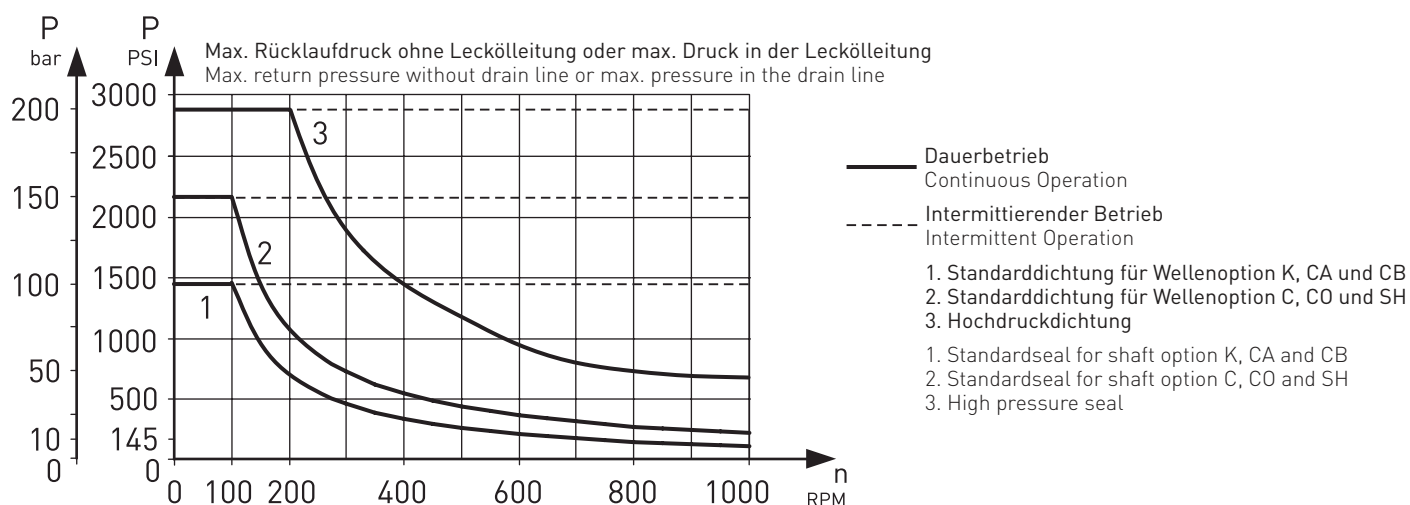


Zulässige Drehmomentabgabe Permissible output torque

Zulässige Drehmomentabgabe je nach Wellentyp Permissible output torque based on shaft type daNm [lb-in]					
C	CO	SH	CB	CA	K
34 [3010]	34 [3010]	40 [3540]	77 [6815]	77 [6815]	95 [8410]

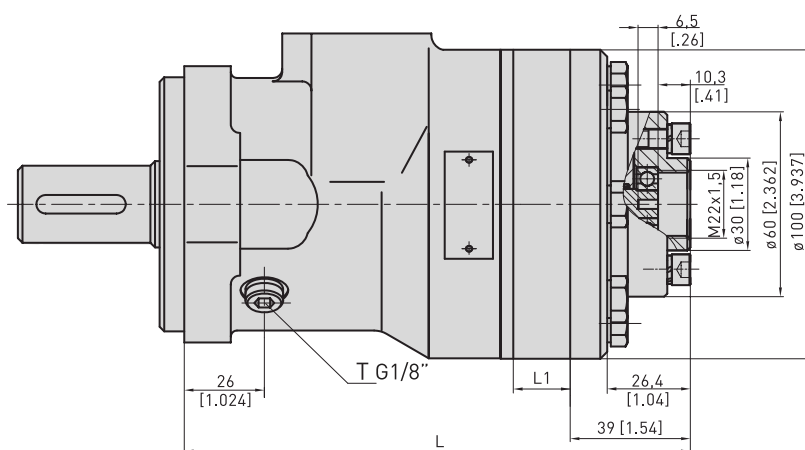
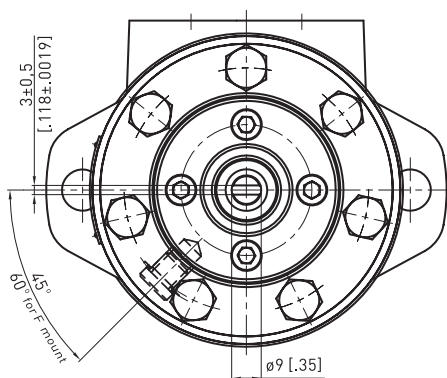
4. VERSION WELLENDICHTUNG 4. SHAFT SEAL VERSION

Max. Druck auf die Wellendichtung Max. permissible shaft seal pressure



5. SONDERAUSFÜHRUNGEN 5. SPECIAL FEATURES

Option T: Tachowelle Option T: Tacho connection



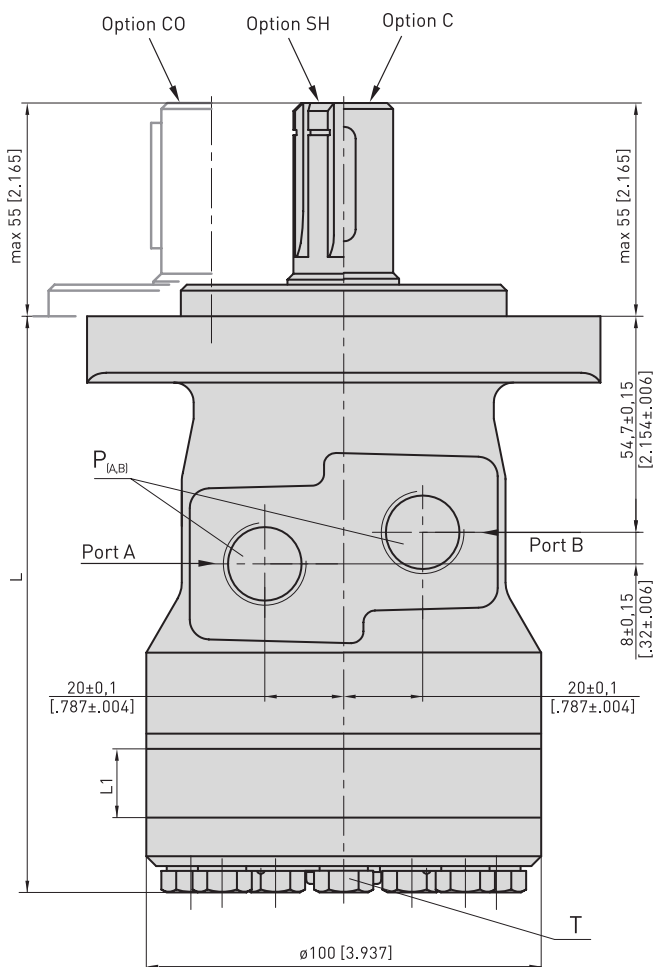
Typ Type	L, mm [in]	L ₁ , mm [in]
SR(F) 50 ... T	157,0 [6.18]	9,0 [0.35]
SR(F) 80 ... T	162,0 [6.38]	14,0 [0.55]
SR(F) 100 ... T	166,0 [6.53]	17,4 [0.69]
SR(F) 125 ... T	170,0 [6.69]	21,8 [0.86]
SR(F) 160 ... T	176,0 [6.93]	27,8 [1.09]
SR(F) 200 ... T	183,0 [7.20]	34,8 [1.37]
SR(F) 250 ... T	191,0 [7.52]	43,5 [1.71]
SR(F) 315 ... T	203,0 [7.99]	54,8 [2.16]
SR(F) 400 ... T	217,0 [8.54]	69,4 [2.73]

Achtung: Radiale oder axiale Belastung auf die Welle muss vermieden werden. Max. Drehmoment an der Tachowelle 0,1 daNm [.885 lb-in]. Max. Rücklaufdruck (Dauerbetrieb) ohne Leckölleitung 20 bar [290 PSI].

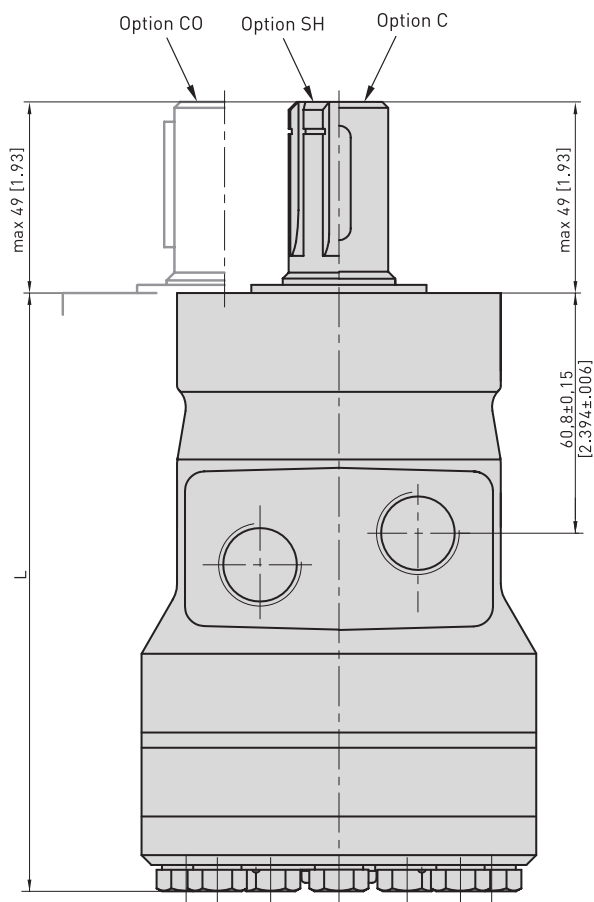
Attention: Radial or axial load on tacho shaft must be avoided. Max torque on shaft 0.1 daNm [.885 lb-in]. Max. continuous return pressure without drain line 20 bar [290 PSI].

EINBAUMAß DIMENSION

Montageflansch Option Standard Mounting flange option standard



Montageflansch Option Q Mounting flange option Q



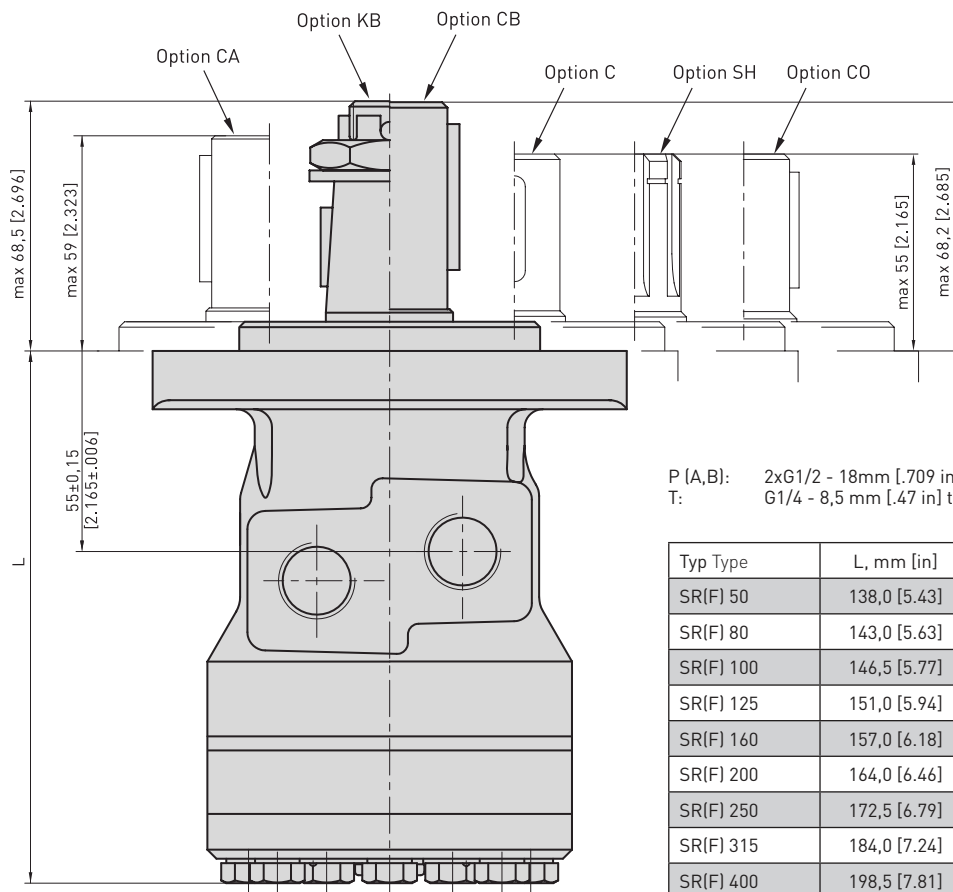
Standarddrehung
mit Blick auf Abtriebswelle
Druck auf Anschluss A - rechtsdrehend
Druck auf Anschluss B - linksdrehend
Reversierdrehung (5. - Option R)
mit Blick auf Abtriebswelle
Druck auf Anschluss A - linksdrehend
Druck auf Anschluss B - rechtsdrehend

Standard rotation
Viewed from shaft end
Port A pressurised- right running
Port B pressurised- left running
Reverse rotation (5. - Option R)
Viewed from shaft end
Port A pressurised- left running
Port B pressurised- right running

P (A,B): 2xG1/2 - 18mm [.709 in] tief deep
T: G1/4 - 8,5 mm [.47 in] tief deep

Typ Type	L, mm [in]	Typ Type	L, mm [in]	L ₁ , mm [in]
SR(F) 50	138,0 [5.43]	SR-Q 50	144,0 [5.67]	9,0 [.35]
SR(F) 80	143,0 [5.63]	SR-Q 80	149,0 [5.87]	14,0 [.55]
SR(F) 100	146,5 [5.77]	SR-Q 100	152,6 [6.00]	17,4 [.69]
SR(F) 125	151,0 [5.94]	SR-Q 125	157,0 [6.18]	21,8 [.86]
SR(F) 160	157,0 [6.18]	SR-Q 160	163,0 [6.42]	27,8 [1.09]
SR(F) 200	164,0 [6.46]	SR-Q 200	170,0 [6.69]	34,8 [1.37]
SR(F) 250	172,5 [6.79]	SR-Q 250	178,5 [7.03]	43,5 [1.71]
SR(F) 315	184,0 [7.24]	SR-Q 315	190,0 [7.48]	54,8 [2.16]
SR(F) 400	198,5 [7.81]	SR-Q 400	205,5 [8.90]	69,4 [2.73]

Montageflansch Option F Mounting flange option F



P [A,B]: 2xG1/2 - 18mm [.709 in] tief deep
T: G1/4 - 8,5 mm [.47 in] tief deep

Standarddrehung
mit Blick auf Abtriebswelle
Druck auf Anschluss A - rechtsdrehend
Druck auf Anschluss B - linksdrehend

Reversierdrehung (5. - Option R)
mit Blick auf Abtriebswelle
Druck auf Anschluss A - linksdrehend
Druck auf Anschluss B - rechtsdrehend

Standard rotation
Viewed from shaft end
Port A pressurised- right running
Port B pressurised- left running

Reverse rotation (5. - Option R)
Viewed from shaft end
Port A pressurised- left running
Port B pressurised- right running

WEITERE TECHNISCHE INFORMATIONEN FURTHER TECHNICAL INFORMATION

Zulässige Wellenbelastung SR Permissible shaft load SR

Die zulässige radiale Wellenbelastung P_{rad} hängt ab von den Drehzahlen (n) und Abstand (L) zwischen dem Angriffspunkt der Last und dem Befestigungsflansch.

The permissible radial shaft load P_{rad} depends on the speed (n) and the distance (L) from the point of load to the mounting flange and shaft version.

Montageflansch Option Standard und F Mounting flange option standard and F

$$P_{rad} = \frac{800}{n} \times \frac{24300}{91,5+L} [\text{daN}]^*$$

$$\left[\frac{800}{\text{RPM}} \times \frac{2150}{3,6+L} \quad [\text{lbs}] \right]$$

* $n \leq 200$ U/min RPM: Max Prad = 800 daN [1800 lbs]
 $n \geq 200$ U/min RPM: L < 55 mm [2.2 in]

Montageflansch Option Q Mounting flange option Q

$$P_{rad} = \frac{800}{n} \times \frac{24300}{97,5+L} [\text{daN}]^*$$

$$\left[\frac{800}{\text{RPM}} \times \frac{2150}{3,84+L} \quad [\text{lbs}] \right]$$

* $n \leq 200$ U/min RPM: Max Prad = 800 daN [1800 lbs]
 $n \geq 200$ U/min RPM: L < 55 mm [2.2 in]

Radiale Wellenbelastung P_{rad} für Wellenoptionen C und CO bei L=30 mm [1.18 in] [24 mm [.94 in]]
 Radial shaft load P_{rad} for shaft options C and CO at L=30 mm [1.18 in] [24 mm [.94 in]]

